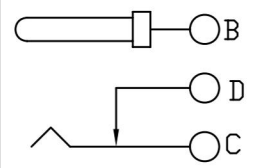
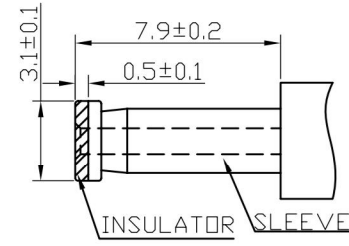
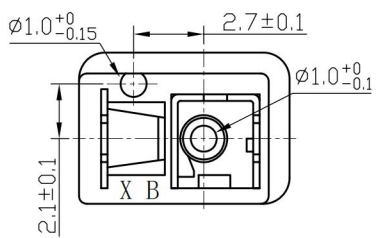
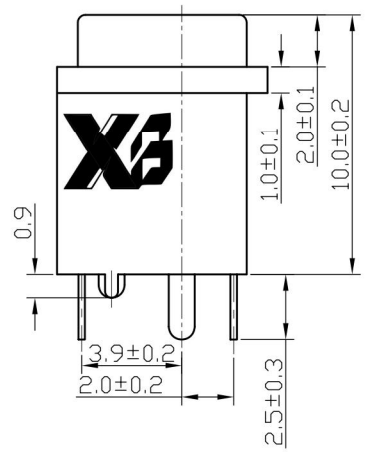
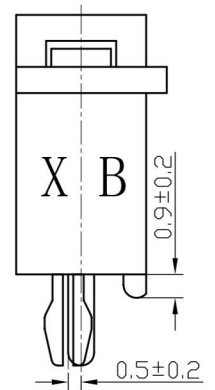


P.C.B LAYOUT



SCHEMATIC

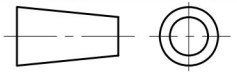


MATE PLUG



东莞市溪榜电子有限公司
DONG GUAN XI BANG ELECTRONICS CO., LTD

TITLE : DC POWER JACK
MODEL : XB-DS-427 (W162)



UNIT : MM	DWN.	DATE
SCALE : 3 : 1	CHK'D	DATE
VERSION 01	APPD.	DATE

TOLERANCE
<=1.5mm±0.1
>1.5mm±0.2
>=10mm±0.3

ANGLE TOL
±2°

4	BREAK TERMINAL D	BRASS STRIP	1	Ag PLATED
3	SLEEVE TERMINAL C	PBS STRIP	1	Ag PLATED
2	PIN	BRASS	1	Ni PLATED
1	HOUSING	PBT	1	BLACK
NO.	PART NAME	MATERIAL	QTY	FINISHING