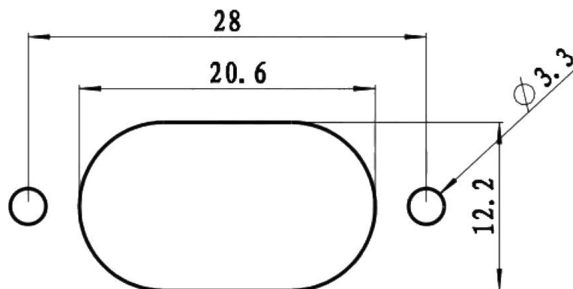
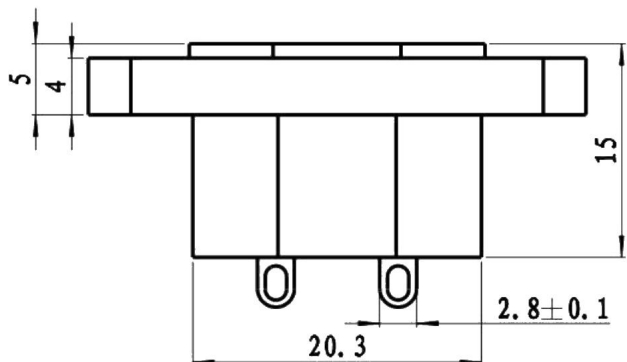
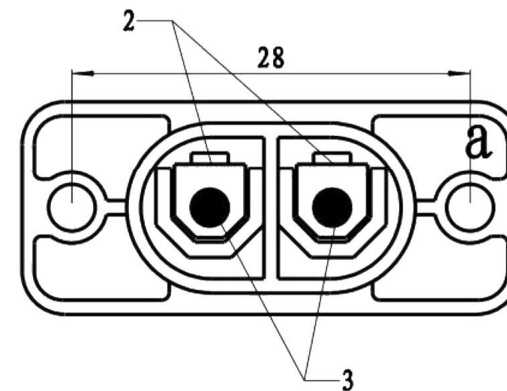


剖面 A-A



PANEL CUT-OUT

Rating:

7A 125V AC UL cUL

2.5A 250V AC VDE 3C KC

Insert And Extract Force: 20N~50N

Operating Life: ≥6000 cycles

Withstand Voltage: Between all terminals:2500VAC(50-60Hz)1min

Terminals to Base:3750V AC(50-60Hz)1min

Leakage Current:1mA

Insulation Resistance:≥100MΩ 500V DC

Body Materil: PBT 94V-2~0

55*32*25cm箱, 200只*20袋装=4k件, 净重:20.8 毛重:22.8=KG,

序号	名称	材料	处理	数量	备注
1	DB-8-7塑料件	环阻PBT	黑色	1	
2	DB-8-S1端子	黄铜	镀锡	2	Plating Thickness >80u''
3	DB-8-1DX圆针	黄铜	镀镍	2	Plating Thickness 40u''-80u''

普通公差:

COMMON TOLERANCE :

UP TO 5	±0.20
ABOVE 5 TO 30	±0.30
ABOVE 30	±0.50
ANGULAR	±5°



东莞市溪榜电子有限公司
DONG GUAN XI BANG ELECTRONICS CO., LTD

REV.	DATE	REVISION DESCRIPTION	ISSUE	单位	mm	投影	品名	Ac Inlet C8型	比例	Free
				UNIT		PROJECTED	PRODUCT NAME		SCALE	
				绘图	金泽杰	核对	型号			
				DRAWN BY		CHECKED BY	MODEL NO.			
				日期	2022/1/4	核准	料号			
				DATE		APPROVAL BY	PART NO.			DB-8-7S1 (3.3)-ZP