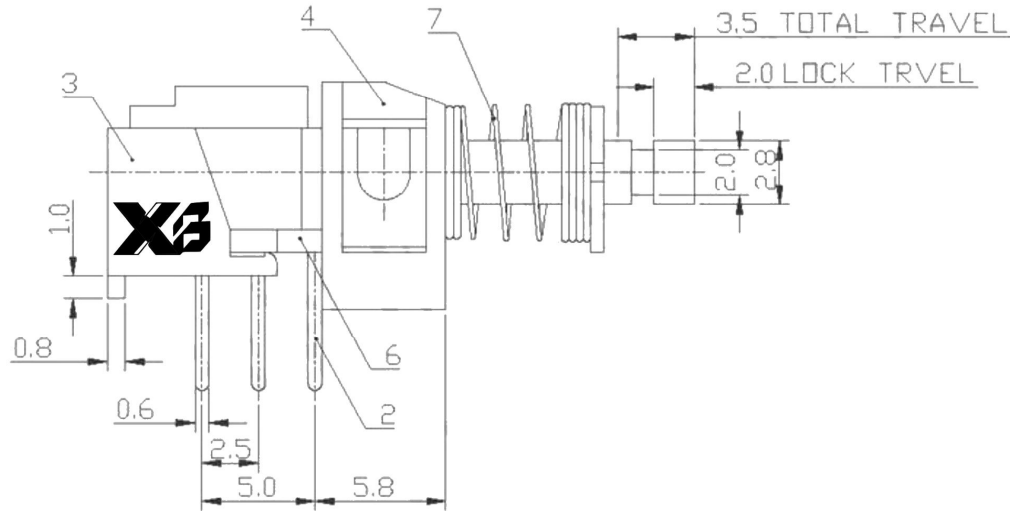
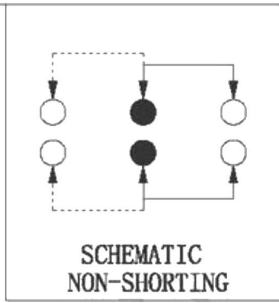
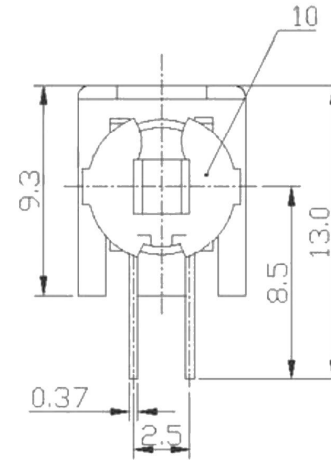
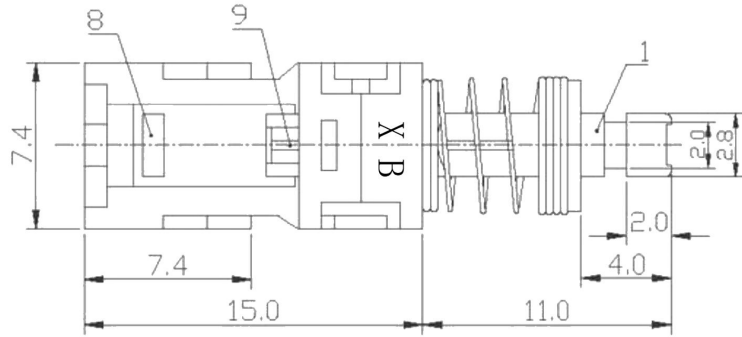


ROHS



ITEM: PERFORMANCE

Title: PUSH BUTTOMN SWICH

Model: XB-PBS-22D02

Rating: 0.3A 0.5A 12V 30V DC

Function: 2P2T

Timing: Non-shorting

ContactResistance (mohms): 50mΩ max

Insulation Resistanc (Mohms): 100MΩ min at 500V DC

Dielectric Strength(V): AC 500V for 1 min

LifeTest: 10,000 Cycles



东莞市溪榜电子有限公司
DONG GUAN XI BANG ELECTRONICS CO., LTD

TITLE : PUSH BUTTON SWITCH

MODEL : PBS-22D02 (W009)



TOLERANCE
<=1.5mm±0.1
>1.5mm±0.2

ANGLB
±2°

UNIT : MM	DWN.	DATE
SCALE : 3 : 1	CHK'D	DATE
VERSION 01	APPD.	DATE

10	BLOCK	IRON STRIP	1	Ni PLATED
9	CAM STICK	BRASS STRIP	1	NATURE
8	SPRING PLATE	PBS STRIP	1	NATURE
7	SPRING	STBEL WIRE	1	NATURE
6	BOARD	PHENOLIC RESIN	1	NATURE
5	CONTACT	PBS STRIP	4	Ag CLAD
4	SLEBYE	POM	1	BLACK
3	HOUSING	PC	1	BLACK
2	TERMINAL	BRASS STRIP	6	Ag PLATED
1	KNOB	POM	1	BLACK
NO.	PART NAME	MATERIAL	QTY.	FINISHING