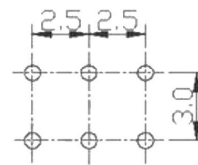
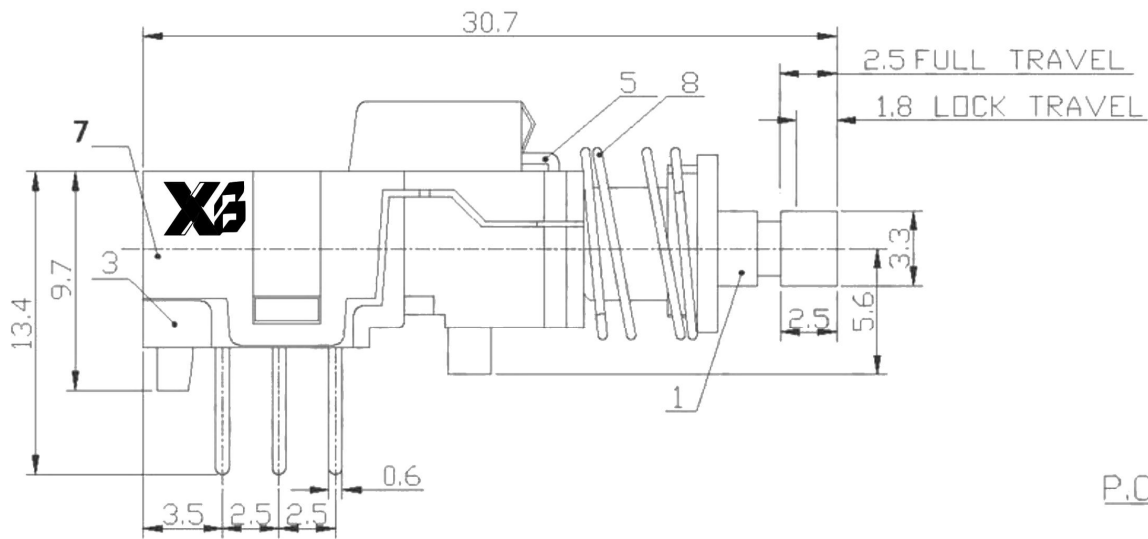
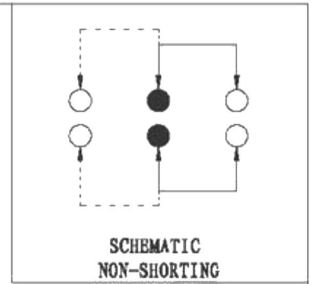
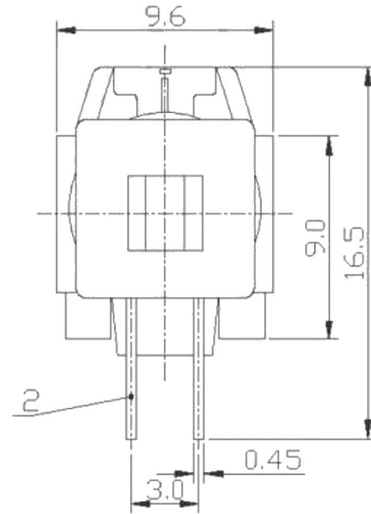
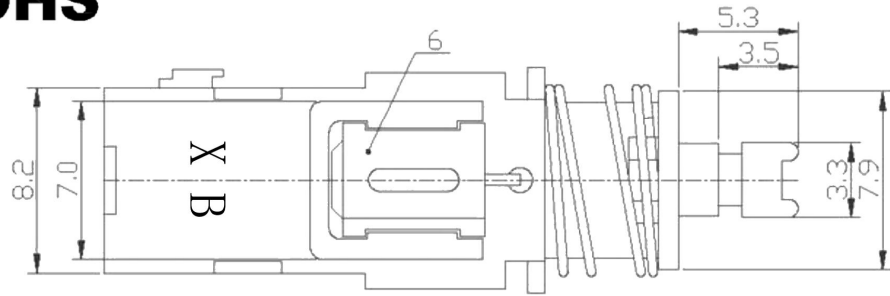


ROHS



P.C.B LAYOUT

ITEM: PERFORMANCE
 Title: PUSH BUTTOMN SWICH
 Model: XB-PBS-22E01
 Rating: 0.3A 0.5A 12V 30V DC
 Function: 2P2T
 Timing: Non-shorting
 ContactResistance (mohms): 50mΩ max
 Insulation Resistanc (Mohms): 100MΩ min at 500V DC
 Dielectric Strength (V): AC 500V for 1 min
 LifeTest: 10,000 Cycles



东莞市溪榜电子有限公司
 DONG GUAN XI BANG ELECTRONICS CO., LTD

TITLE : PUSH BUTTON SWITCH

MODEL : PBS22E01 (W009)



TOLERANCE

ANGLE TOL

<=5mm ±0.2

> 5mm ±0.3

±2°

UNIT : MM	DWN.	DATE
SCALE : 3 : 1	CHK'D	DATE
VERSION 01	APPD.	DATE

8	SPRING	STEEL WIRE	1	NATURE
7	COVER	ABS	1	BLUE
6	BLOCK	PBS STRIP	1	NATURE
5	LOCK NEEDLE	STEEL WIRE	1	Ni PLATED
4	CONTACT	PBS STRIP	2	Ag CLAD
3	CASE	PC	1	WHITE
2	TERMINAL	BRASS STRIP	6	Ag PLATED
1	KNOB	PCM	1	WHITE
NO.	PART NAME	MATERIAL	QTY.	FINISHING