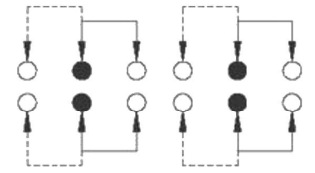
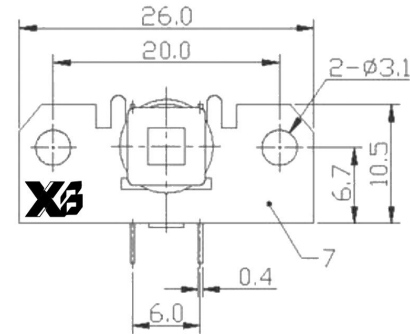
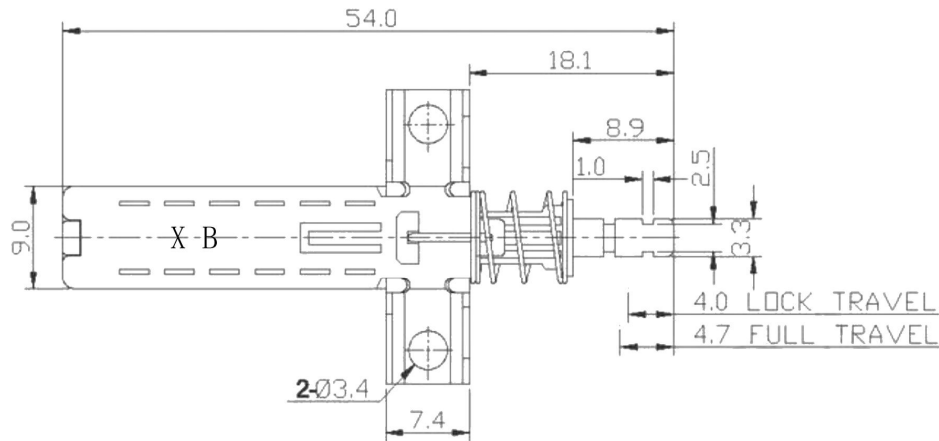
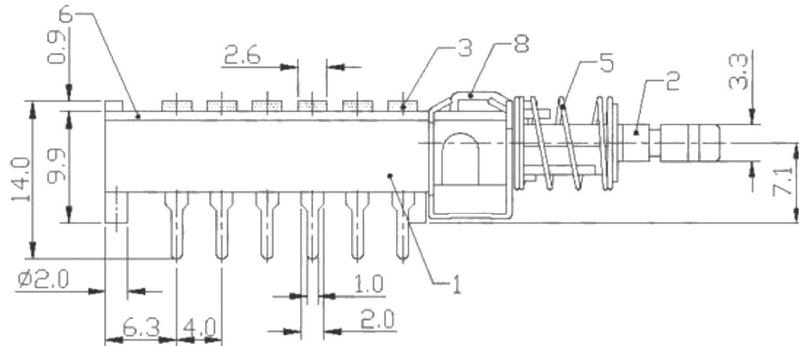


ROHS



SCHEMATIC



ITEM: PERFORMANCE
 Title: PUSH BUTTOMN SWICH
 Model: XB-PBS-42H03
 Rating: 0.3A 0.5A 12V 30V DC
 Function: 4P2T
 Timing: Non-shorting
 ContactResistance(mohms):50mΩ max
 Insulation Resistanc(Mohms):100MΩ min at 500V DC
 Dielectric Strength(V):AC 500V for 1 min
 LifeTest:10,000 Cycles



东莞市溪榜电子有限公司
 DONG GUAN XI BANG ELECTRONICS CO., LTD

TITLE : PUSH BUTTON SWITCH

MODEL : PBS42H03-G14 (W009)



TOLERANCE
 <=1.5mm ±0.1
 > 1.5mm ±0.2

ANGLE TOL
 ±2°

UNIT : MM	DWN.	DATE
SCALE : 1.5 : 1	CHK'D	DATE
VERSION 01	APPD.	DATE

9	SPRING	STEEL WIRE	4	NATURE
8	CAM STICK	STEEL WIRE	1	NATURE
7	FRAME	IRON STRIP	1	Zn PLATED
6	BOARD	PC	1	CLEAR
5	SPRING	STEEL WIRE	1	NATURE
4	CONTACT CLIP	BRASS STRIP	4	Ag PLATED
3	TERMINAL	BRASS STRIP	12	Ag PLATED
2	KNOB	POM	1	WHITE
1	CASE	PC	1	BLACK
NO.	PART NAME	MATERIAL	QTY	FINISHING