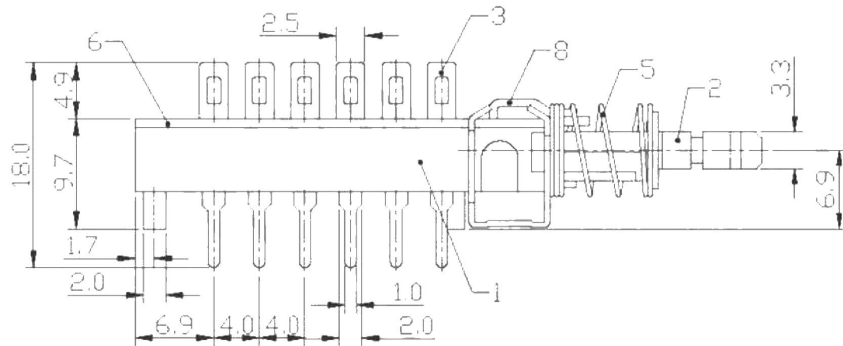
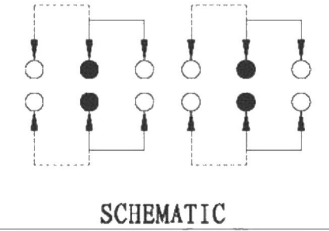
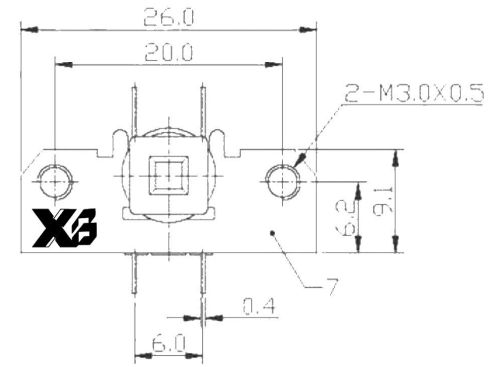
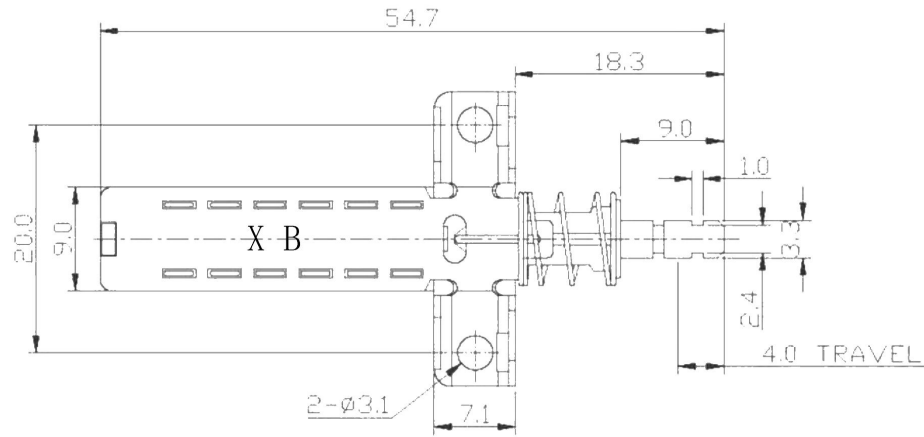


ROHS



ITEM: PERFORMANCE

Title: PUSH BUTTOMN SWICH

Model: XB-PBS-42H05

Rating: 0.3A 0.5A 12V 30V DC

Function: 4P2T

Timing: Non shorting

ContactResistance(mohms):50mΩ max

Insulation Resistanc(Mohms):100MΩ min at 500V DC

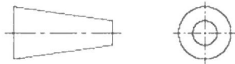
Dielectric Strength(V):AC 500V for 1 min

LifeTest:10,000 Cycles

东莞市溪榜电子有限公司
DONG GUAN XI BANG ELECTRONICS CO., LTD

TITLE : PUSH BUTTON SWITCH

MODEL : PBS42H05-F18 (W074)



TOLERANCE
≤1.5mm ±0.1
> 1.5mm ±0.2

ANGLE TOL
±2°

9	SPRIG	STEEL WIRE	4	NATURE
8	CAM STICK	SUS	1	NATURE
7	FRAME	TRON STRIP	1	Zn PLATED
6	BOARD	PHENOLIC RESIN	1	NATURE
5	SPRING	STEEL WIRE	1	Zn PLATED
4	CONTACT	BRASS STRIP	4	Ag PLATED
3	TERMINAL	BRASS STRIP	12	Ag PLATED
2	KNOB	POM	1	WHITE
1	CASE	PC	1	BLACK
NO.	PART NAME	MATERIAL	QTY	PINISHING



UNIT : MM	DWN.	DATE
SCALE : 1.5 : 1	CHK'D	DATE
VERSION 01	APPD.	DATE