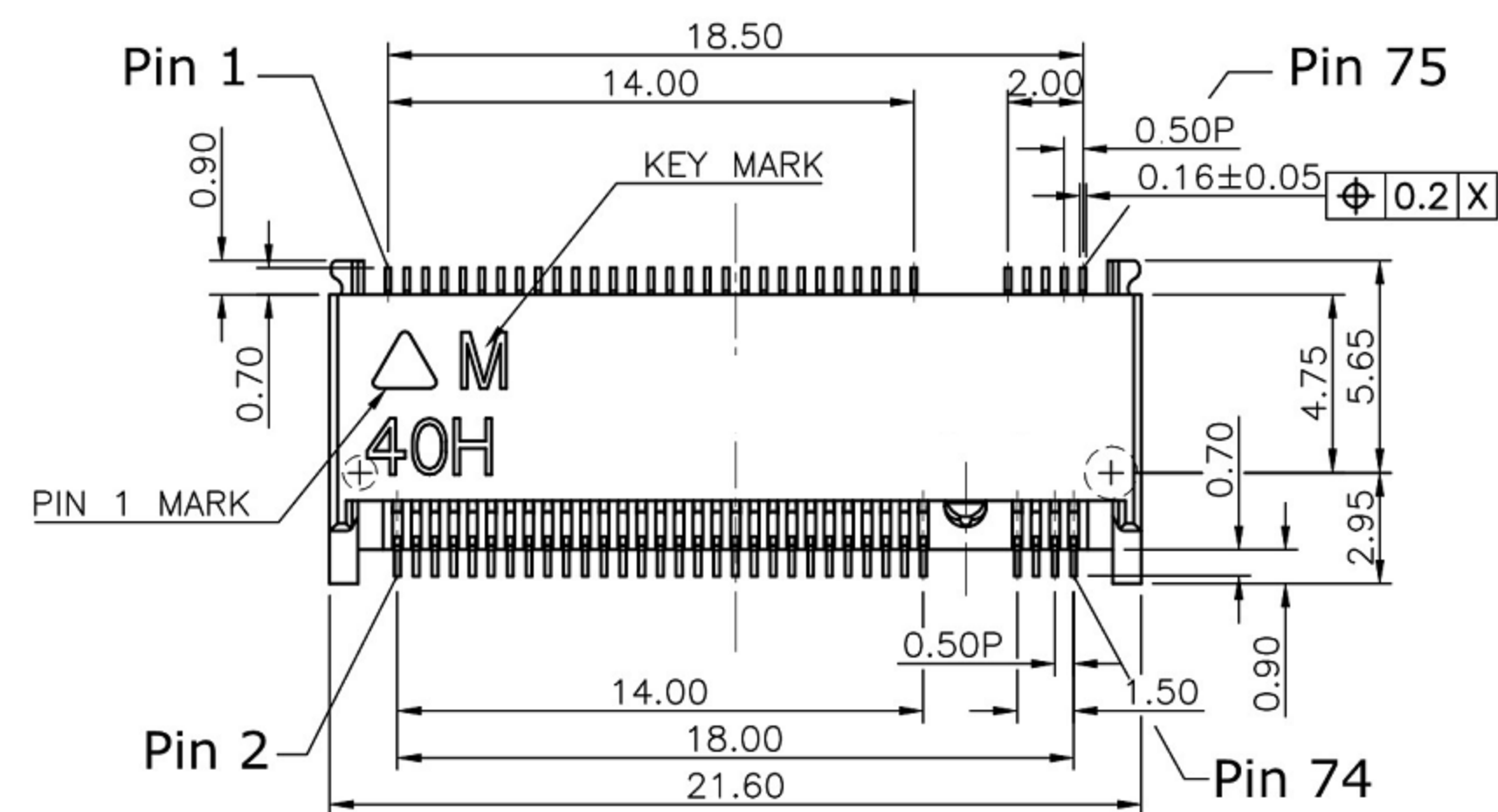
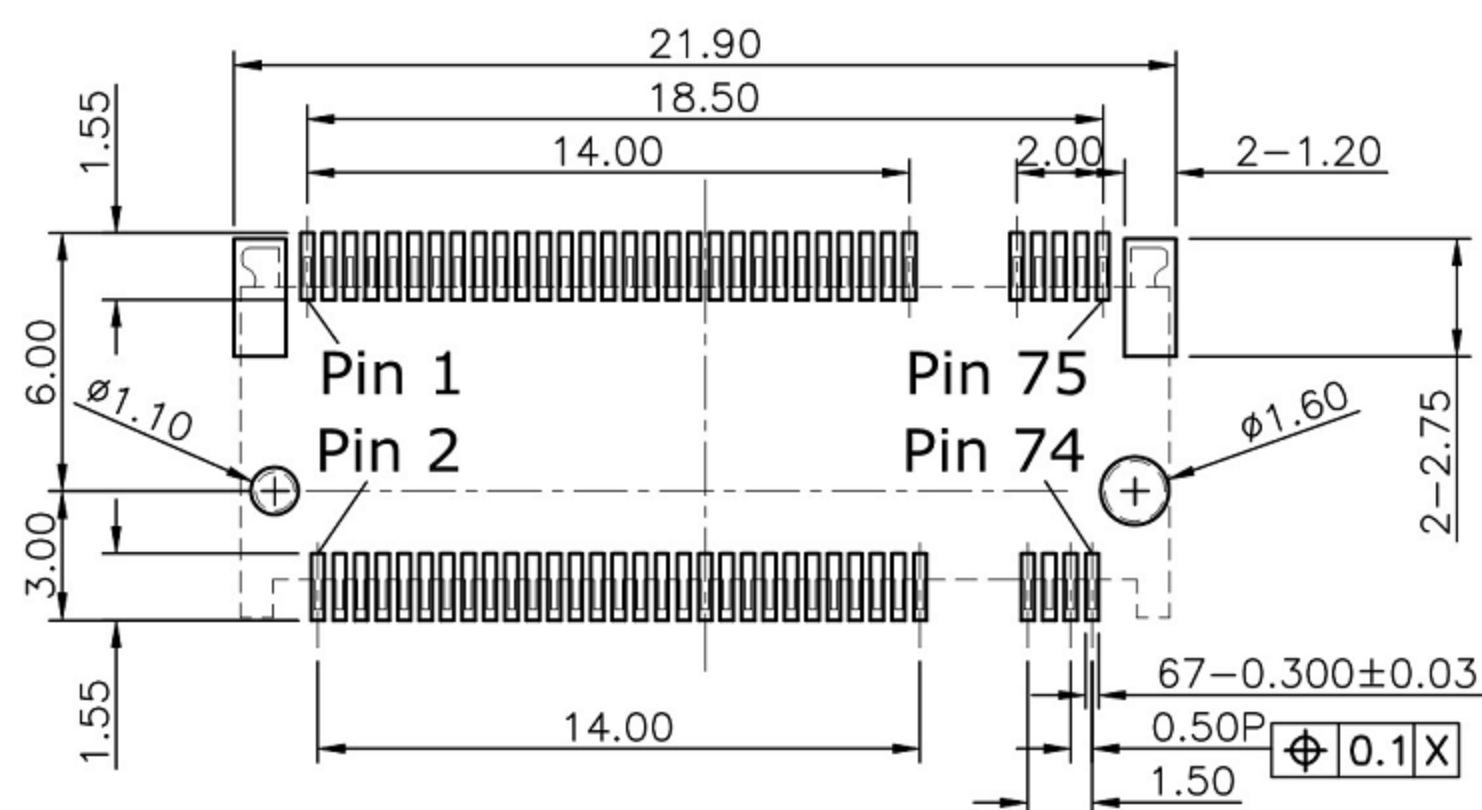
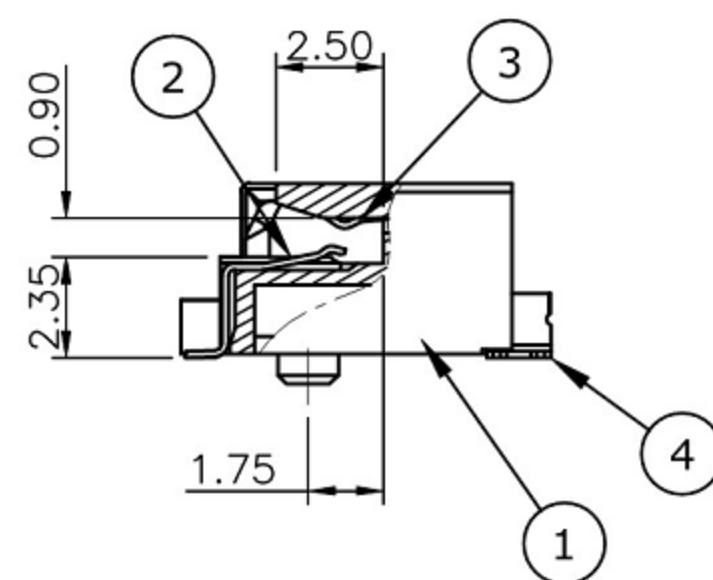
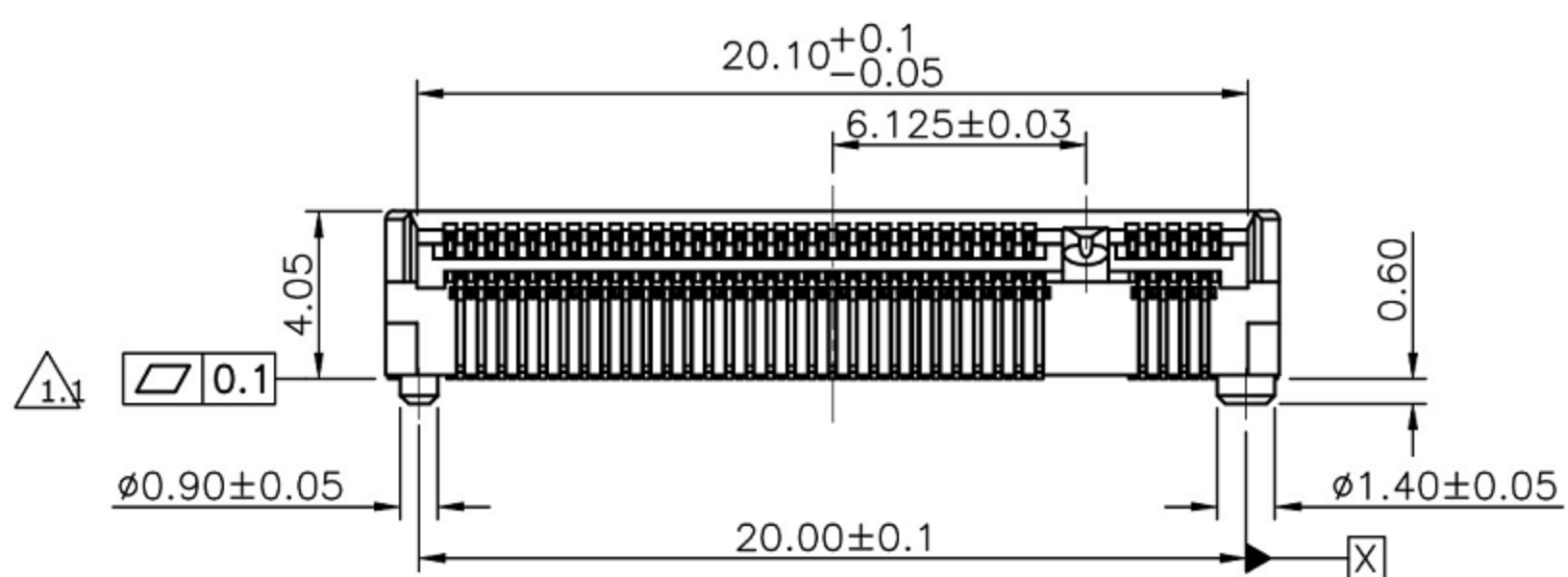


CAD FILE:

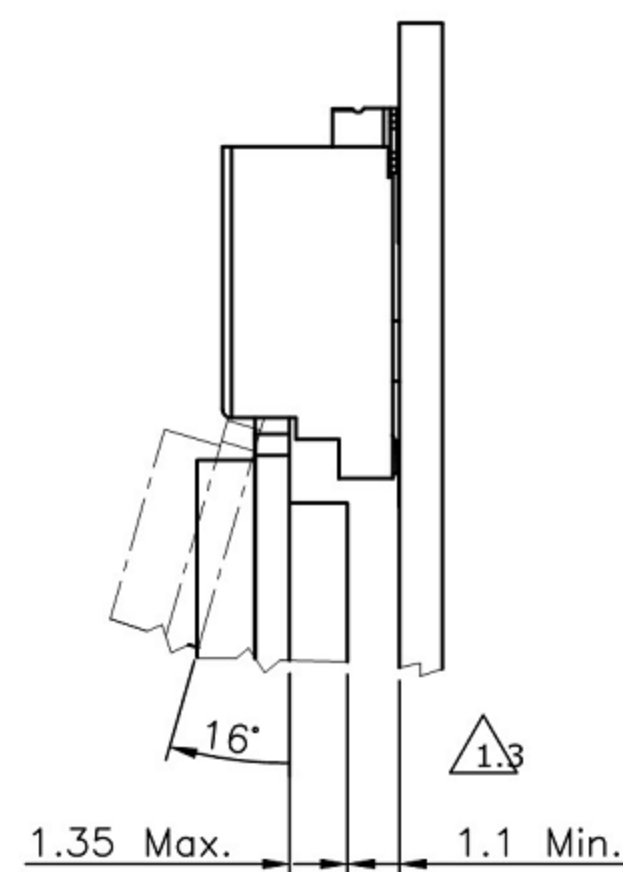
**ROHS**



Date code: YWWD  
 Y=Year, 0~9  
 WW=Week, 1~52  
 D=Day, 1~7



Recommended Layout (Top View)  
 General Tolerance: ±0.05mm



| REV. | DESCRIPTION                                       | DRAWN | DATE       |
|------|---|-------|------------|
| 1.1  | Add flatness tolerance                            | FROS  | 2019/08/07 |
| 1.2  | Corrected temperature to 85°C                     | FROS  | 2019/08/15 |
| 1.3  | Added M.2 module thickness & related space height | FROS  | 2019/08/29 |

**SPECIFICATION:**

1. ELECTRICAL
  - 1.1 Current Rating: 0.5A per pin
  - 1.2 Voltage Rating: 50VAC
  - 1.3 Contact Resistance: 50mΩ
  - 1.4 Insulation Resistance: 500MΩ
  - 1.5 Dielectric Withstanding Voltage: 300VAC

2. MECHANICAL

- 2.1 Durability: 60 Cycle
- 2.2 Mating Force: 20N max.
- 2.3 Un-mating Force: 25N max.

3. ENVIRONMENTAL

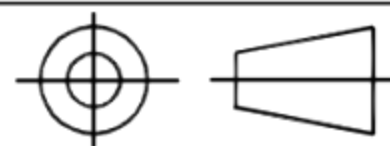
- 3.1 Operating temperature range: -40°C~+85°C
- 3.2 Storage temperature range: -40°C~+85°C

4. SOLDER ABILITY

- 4.1 Recommended IR Reflow(Wave Soldering) Temperature: 260°C

| NO. | PART NAME     | DESCRIPTION   |
|-----|---------------|---|
| 4   | HOLD DOWN     | BRASS, C2680R-H, 100u" Matte Tin plated, under-plated Nickel 50u"               |
| 3   | LOWER CONTACT | PHOSPHOR BRONZE, C5210R-EH  |
| 2   | UPPER CONTACT | Contact area: Gold flash, Solder area: Gold flash, all under-plated Nickel 50u" |
| 1   | INSULATOR     | LCP, UL94V-0, BLACK   |

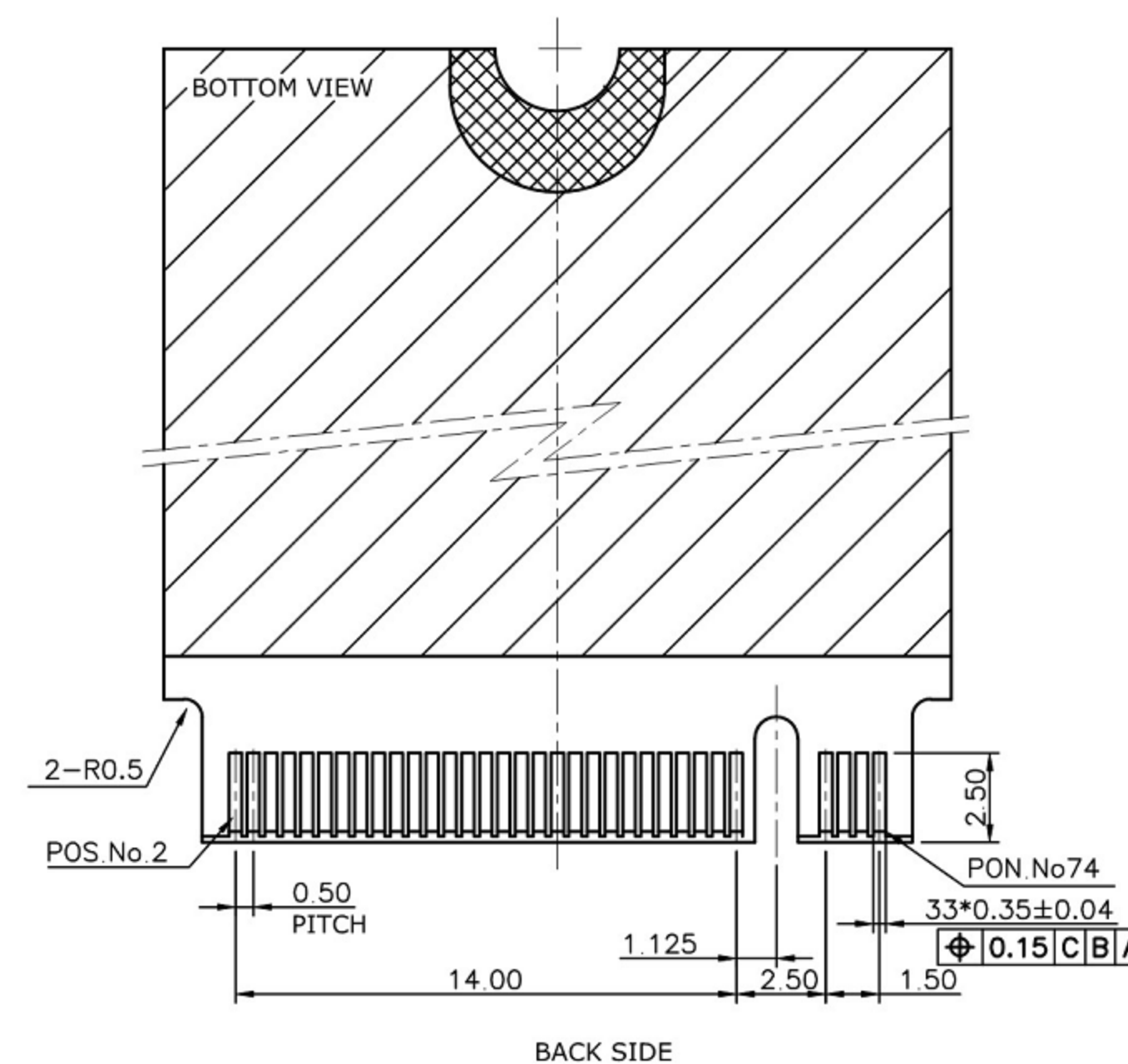
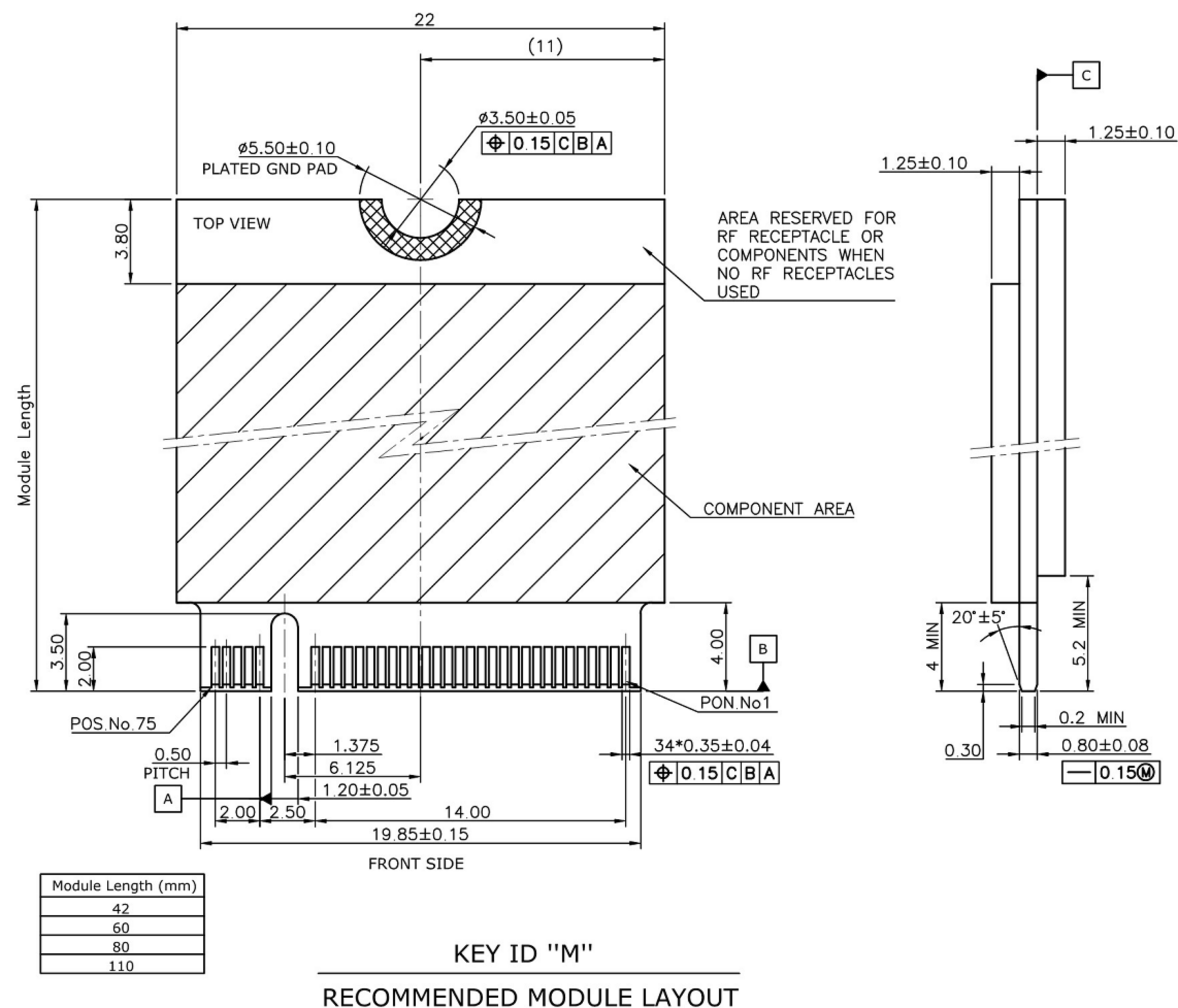
| NO. | PARTS   | MATERIALS       | Q'TY | FINISH          | TOLERANCE UNLESS SPECIFIED                                    | ISSUE | DATE      | DESCRIPTIONS OF REVISION | APPD.                    |
|-----|---------|-----------------|------|-----------------|---|-------|-----------|--------------------------|--------------------------|
| 8   |         |                 |      |                 |   |       |           |                          |                          |
| 7   |         |                 |      |                 |   |       |           |                          |                          |
| 6   |         |                 |      |                 | WITHIN 1.5mm : ±0.1mm   | A     | 2012-9-25 | 初版                       | ZENQ. CHEN               |
| 5   |         |                 |      |                 | OVER 1.5mm : ±0.2mm   | ISSUE | DATE      | DESCRIPTIONS OF REVISION | APPD.                    |
| 4   | CONTACT | SUS             | 1    | Ag CLAD         | TITLE : PCB卡插座  |       |           | UNIT : mm                | DRWG NO.: XB-123A-40M00  |
| 3   | CASE    | PPA/BRASS SRTIP | 1    | BLACK/Ag PLATED | MODEL: PCB Card Socket  |       |           | SCALE: 5:1               | DWN. JUN. YANG 2012-9-25 |
| 2   | COVER   | STEEL STRIP     | 1    | Ni PLATED       | <b>东莞市溪榜电子有限公司</b><br>DONG GUAN XI BANG ELECTRONICS CO., LTD. |       |           | CHK'D                    | DONG. PANG 2012-9-25     |
| 1   | KNOB    | PPA             | 1    | BLACK           |   |       |           | APPD.                    | ZENQ. CHEN 2012-9-25     |



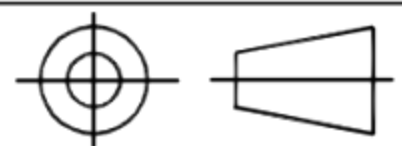
CAD FILE:

**ROHS**

| REV. | DESCRIPTION     | DRAWN | DATE       |
|------|-----------------|-------|------------|
| 1    | INITIAL RELEASE | FROS  | 2019/01/09 |
| 1.1  | Corrected       | FROS  | 2019/09/11 |

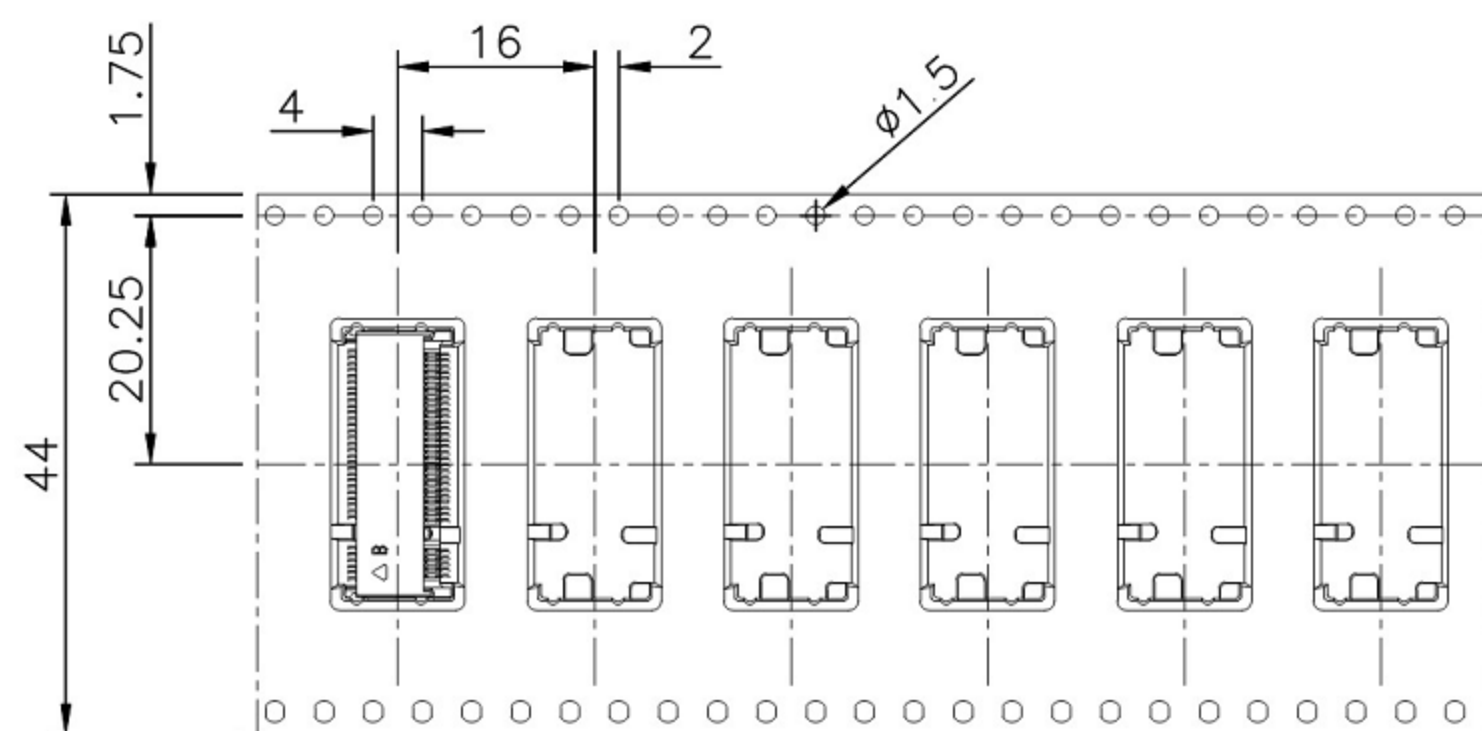
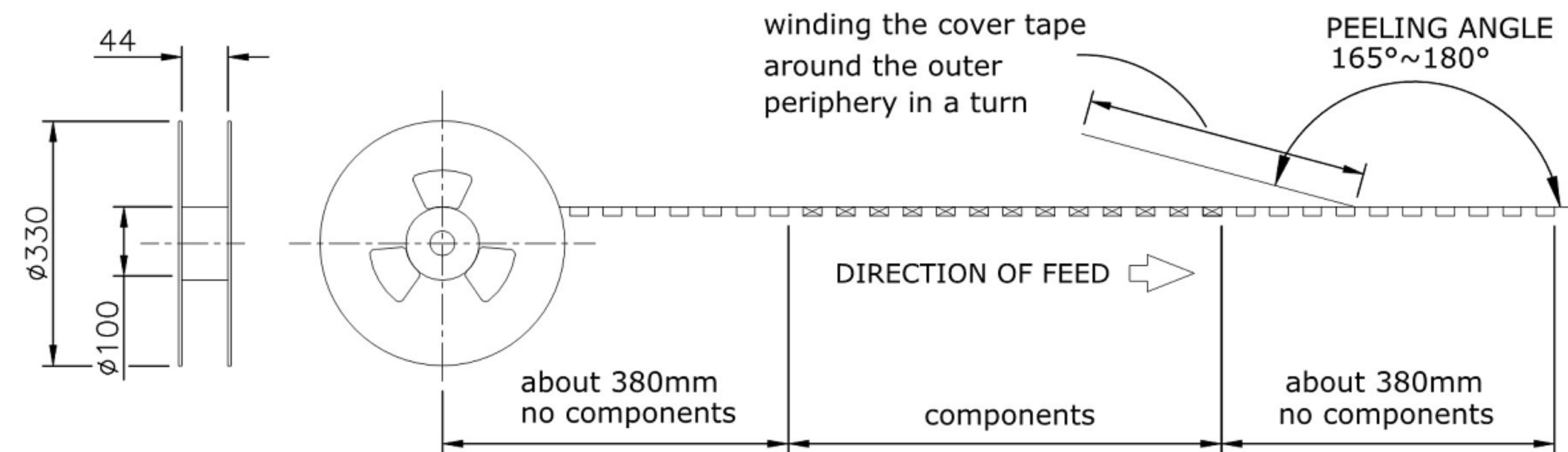


| NO. | PARTS   | MATERIALS       | Q'TY | FINISH          | TOLERANCE<br>UNLESS SPECIFIED                                 | ISSUE | DATE      | DESCRIPTIONS OF REVISION | APPD.                    |
|-----|---------|-----------------|------|-----------------|---|-------|-----------|--------------------------|--------------------------|
| 8   |         |                 |      |                 |   |       |           |                          |                          |
| 7   |         |                 |      |                 |   |       |           |                          |                          |
| 6   |         |                 |      |                 | WITHIN 1.5mm : ±0.1mm   | A     | 2012-9-25 | 初版                       | ZENQ. CHEN               |
| 5   |         |                 |      |                 | OVER 1.5mm : ±0.2mm   | ISSUE | DATE      | DESCRIPTIONS OF REVISION | APPD.                    |
| 4   | CONTACT | SUS             | 1    | Ag CLAD         | TITLE : PCB卡插座  |       |           | UNIT : mm                | DRWG NO.: XB-123A-40M00  |
| 3   | CASE    | PPA/BRASS SRTIP | 1    | BLACK/Ag PLATED | MODEL: PCB Card Socket  |       |           | SCALE: 5:1               | DWN. JUN. YANG 2012-9-25 |
| 2   | COVER   | STEEL STRIP     | 1    | Ni PLATED       | <b>东莞市溪榜电子有限公司</b><br>DONG GUAN XI BANG ELECTRONICS CO., LTD. |       |           | CHK'D                    | DONG. PANG 2012-9-25     |
| 1   | KNOB    | PPA             | 1    | BLACK           |   |       |           | APPD.                    | ZENQ. CHEN 2012-9-25     |



CAD FILE:

**ROHS**



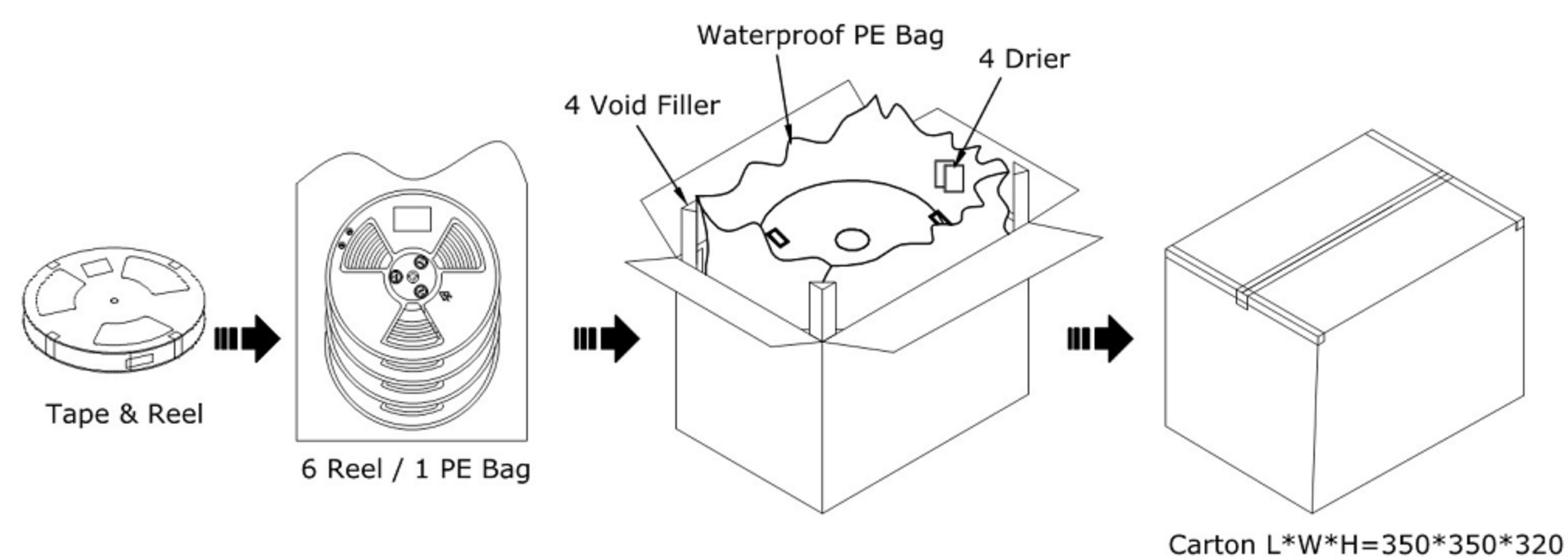
**PACKAGING SPECIFICATION:**

1. MATERIAL
  - 1.1 Embossed Carrier Tape: PS Black
  - 1.2 Top Cover Tape: PET  
20-80g(Peel Speed 300mm/Minute)
  - 1.3 Taping Reel: Plastic

2. Packaging:

| P/N        | Height | Reel | Carton |
|------------|--------|------|--------|
| 123A-21X00 | 2.15   | 1200 | 7200   |
| 123A-30X00 | 3.05   | 900  | 5400   |
| 123A-40X00 | 4.05   | 700  | 4200   |
| 123A-58X00 | 5.80   | 600  | 3600   |

| REV. | DESCRIPTION     | DRAWN | DATE       |
|------|-----------------|-------|------------|
| 1    | INITIAL RELEASE | TIM   | 2018/01/19 |



| NO. | PARTS   | MATERIALS       | Q'TY | FINISH          |  |       |           |                          |                         |           |           |
|-----|---------|-----------------|------|-----------------|--|-------|-----------|--------------------------|-------------------------|-----------|-----------|
| 8   |         |                 |      |                 | <b>TOLERANCE</b>   |       |           |                          |                         |           |           |
| 7   |         |                 |      |                 | <b>UNLESS SPECIFIED</b>  |       |           |                          |                         |           |           |
| 6   |         |                 |      |                 | WITHIN 1.5mm : ±0.1mm  | A     | 2012-9-25 | 初版                       | ZENQ. CHEN              |           |           |
| 5   |         |                 |      |                 | OVER 1.5mm : ±0.2mm  | ISSUE | DATE      | DESCRIPTIONS OF REVISION | APPD.                   |           |           |
| 4   | CONTACT | SUS             | 1    | Ag CLAD         | TITLE : PCB卡插座   |       |           | UNIT : mm                | DRWG NO.: XB-123A-40M00 |           |           |
| 3   | CASE    | PPA/BRASS SRTIP | 1    | BLACK/Ag PLATED | MODEL: PCB Card Socket   |       |           | SCALE: 5:1               | DWN.                    | JUN. YANG | 2012-9-25 |
| 2   | COVER   | STEEL STRIP     | 1    | Ni PLATED       | <b>东莞市溪榜电子有限公司</b><br>DONG GUAN XI BANG ELECTRONI CS CO., LTD. |       |           | CHK'D                    | DONG. PANG              | 2012-9-25 |           |
| 1   | KNOB    | PPA             | 1    | BLACK           |  |       |           | APPD.                    | ZENQ. CHEN              | 2012-9-25 |           |