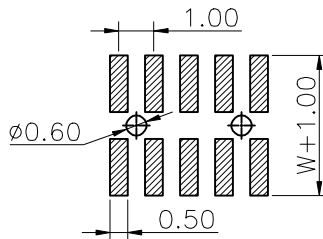
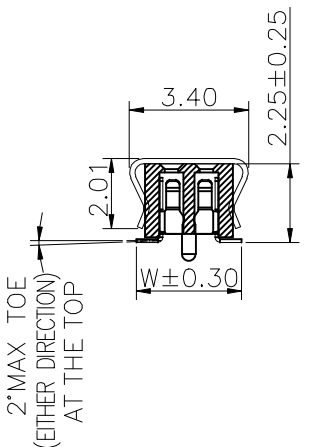
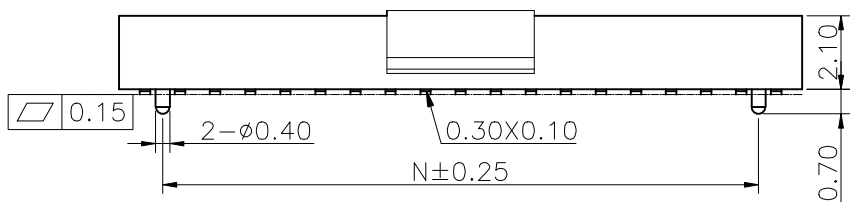


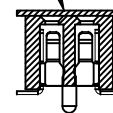
Recommended P.C.Board Layout
(Tolerance:±0.05)



Specifications
Current Rating:1.0Amp
Insulation Resistance:1000MΩMin.
Dielectric Withstanding Voltage:300VAC
Contact Resistance:20mΩMax.
Operating Temperature:-40°C to +105°C
Materials
Contact Material:Phosphor Bronze
Insulator Material:High Temperature Thermoplastic, UL 94V-0 LCP or the equivalent material
All materials must meet Greenconn requirement for environment protection.

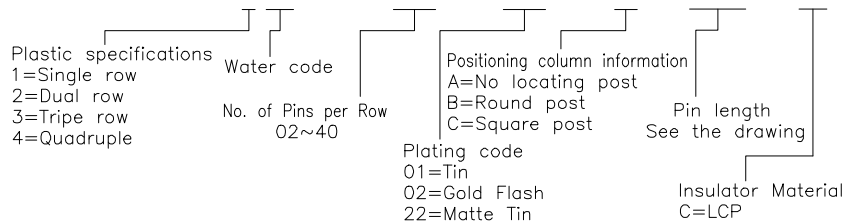


Acetate tape
(Ø3.00x0.15)



Ordering Information

XB-PM-C-10-211



No. of PIN/ROW	Dimension Information		
	M	L	N
02	1.00	2.50	
03	2.00	3.50	1.00
04	3.00	4.50	2.00
05	4.00	5.50	3.00
06	5.00	6.50	4.00
07	6.00	7.50	5.00
08	7.00	8.50	6.00
09	8.00	9.50	7.00
10	9.00	10.50	8.00
11	10.00	11.50	9.00
12	11.00	12.50	10.00
13	12.00	13.50	11.00
14	13.00	14.50	12.00
15	14.00	15.50	13.00
16	15.00	16.50	14.00
17	16.00	17.50	15.00
18	17.00	18.50	16.00
19	18.00	19.50	17.00
20	19.00	20.50	18.00
21	20.00	21.50	19.00
22	21.00	22.50	20.00
23	22.00	23.50	21.00
24	23.00	24.50	22.00
25	24.00	25.50	23.00
26	25.00	26.50	24.00
27	26.00	27.50	25.00
28	27.00	28.50	26.00
29	28.00	29.50	27.00
30	29.00	30.50	28.00
31	30.00	31.50	29.00
32	31.00	32.50	30.00
33	32.00	33.50	31.00
34	33.00	34.50	32.00
35	34.00	35.50	33.00
36	35.00	36.50	34.00
37	36.00	37.50	35.00
38	37.00	38.50	36.00
39	38.00	39.50	37.00
40	39.00	40.50	38.00

XB 东莞市溪榜电子有限公司
DONG GUAN XI BANG ELECTRONICS CO., LTD.

REV. 01 UNIT. mm SCALE. 5:1 PAGE. 1/1

GENERAL TOLERANCE	
X.±5.0'	X.±0.30
.X'±3.0'	.X±0.25
.XX'±2.0'	.XX±0.15
.XXX'±1.0'	.XXX±0.10

DESIGNED:	DATE:
CHECKED:	DATE:
CO SINGED:	DATE:
APPROVED:	DATE:

DWG. NO. **XB-PM-C-10-211**
PART NO. **XB-PM-C-10-211**

TITLE. **1.00 FEMALE HEADER DUAL ROWS SMT TYPE CONNECTOR**