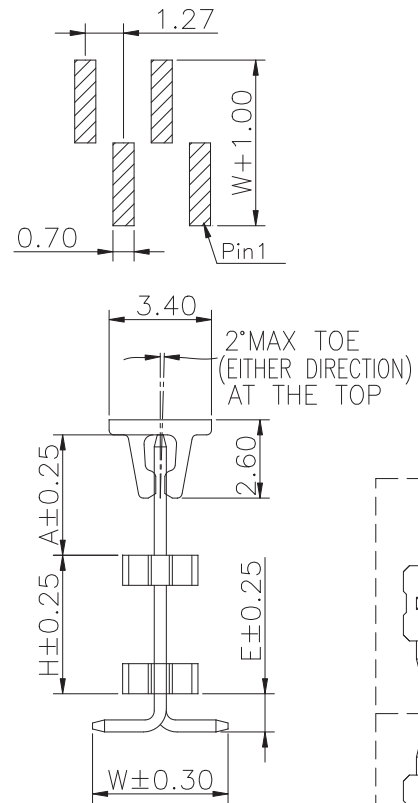


Recommended P.C.Board
Layout
(Tolerance:±0.05)

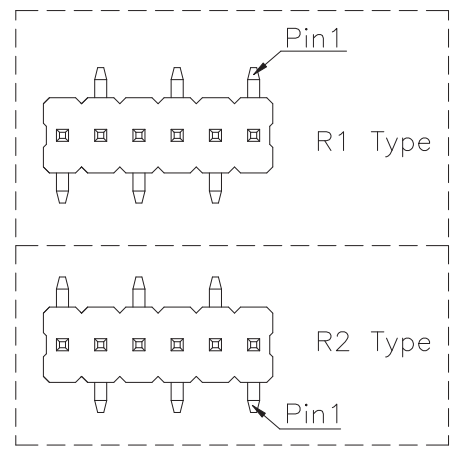
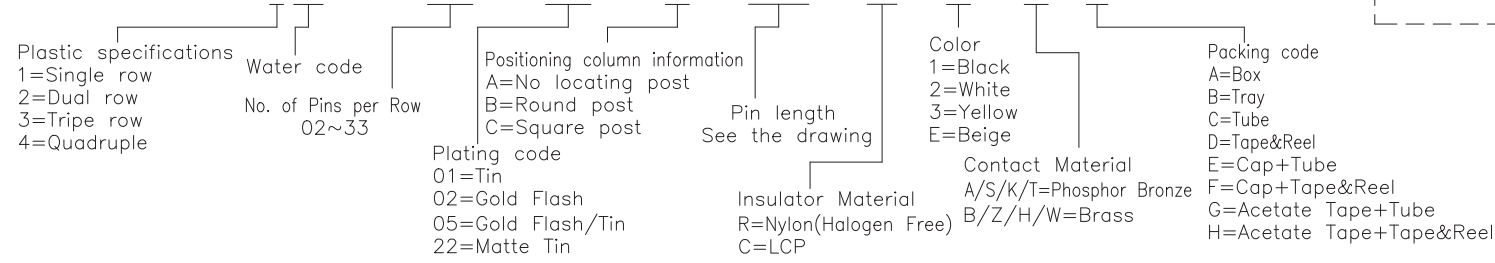


Specifications
Current Rating:1.0Amp
Insulation Resistance:1000MΩMin.
Dielectric Withstanding Voltage:300VAC
Contact Resistance:20mΩMax.
Operating Temperature:-40°C to +105°C
Materials
Contact Material:Brass
Insulator Material:High Temperature Thermoplastic, UL 94V-0 LCP or the equivalent material
All materials must meet Greenconn hazardous substances control standards.

No. of PIN/ROW	Dimension Information	
	L	M
02	2.54	1.27
03	3.81	2.54
04	5.08	3.81
05	6.35	5.08
06	7.62	6.35
07	8.89	7.62
08	10.16	8.89
09	11.43	10.16
10	12.70	11.43
11	13.97	12.70
12	15.24	13.97
13	16.51	15.24
14	17.78	16.51
15	19.05	17.78
16	20.32	19.05
17	21.59	20.32
18	22.86	21.59
19	24.13	22.86
20	25.40	24.13
21	26.67	25.40
22	27.94	26.67
23	29.21	27.94
24	30.48	29.21
25	31.75	30.48
26	33.02	31.75
27	34.29	33.02
28	35.56	34.29
29	36.83	35.56
30	38.10	36.83
31	39.37	38.10
32	40.64	39.37
33	41.91	40.64

Ordering Information

XB-PZ-C-127-132



东莞市溪榜电子有限公司
DONG GUAN XI BANG ELECTRONICS CO., LTD.
Switch Connector

GENERAL TOLERANCE	
X.°±5.0°	X.±0.30
.X°±3.0°	.X±0.25
.XX°±2.0°	.XX±0.15
.XXX°±1.0°	.XXX±0.10

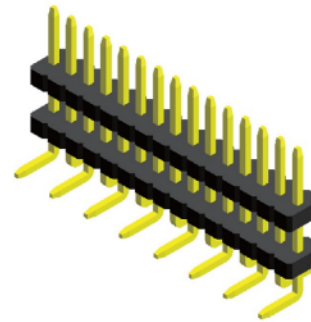
DWG. NO.
XB-PZ-C-127-132
PART NO.
XB-PZ-C-127-132

TITLE.
**1.27 PIN HEADER
BOARD SPACER SINGLE
CONNECTOR**

REV.	UNIT.	SCALE.	PAGE.
01	mm	4:1	1/1

Specifications

Current Rating : 1.0 Ampere
 Insulation Resistance : 1000 MΩ Min
 Dielectric Withstanding : 300V AC
 Contact Resistance : 20 mΩ Max
 Operating Temperature : -40°C to +105°C



Materials

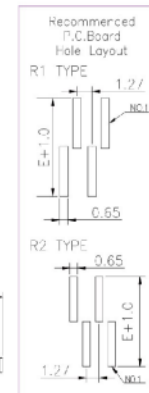
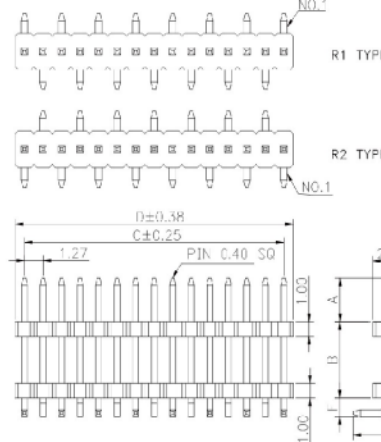
Contact Material : Brass
 Insulation Material : High Temperature Thermoplastic, 94V-0 Nylon

All materials must meet Greenconn's requirements for environmental protection.

Mating with



C29 C31 C32



* For Coded Dimension Not Inside The Table, Please Refer To "Ordering Information"

No. of Pins/Row	Dimension Information		No. of Pins/Row	Dimension Information		No. of Pins/Row	Dimension Information		No. of Pins/Row	Dimension Information	
	C	D		C	D		C	D		C	D
03	2.54	3.81	11	12.70	13.97	21	25.40	26.67	31	38.10	39.37
04	3.81	5.08	12	13.97	15.24	22	26.67	27.94	32	39.37	40.64
05	5.08	6.35	13	15.24	16.51	23	27.94	29.21	33	40.64	41.91
06	6.35	7.62	14	16.51	17.78	24	29.21	30.48			
07	7.62	8.89	15	17.78	19.05	25	30.48	31.75			
08	8.89	10.16	16	19.05	20.32	26	31.75	33.02			
09	10.16	11.43	17	20.32	21.59	27	33.02	34.29			
10	11.43	12.70	18	21.59	22.86	28	34.29	35.56			
			19	22.86	24.13	29	35.56	36.83			
			20	24.13	25.40	30	36.83	38.10			

XB 东莞市溪榜电子有限公司
 DONG GUAN XI BANG ELECTRONIC CO., LTD.

REV. 01 UNIT. mm SCALE. 5:1 PAGE. 1/1

GENERAL TOLERANCE	
X.±5.0'	X.±0.30
.X'±3.0'	.X±0.25
.XX'±2.0'	.XX±0.15
.XXX'±1.0'	.XXX±0.10

DESIGN:	DATE:
CHECKED:	DATE:
AUD TED:	DATE:
APPROVED:	DATE:

DWG. NO.	XB-PZ-C-127-132
PART NO.	XB-PZ-C-127-132

TITLE:
 2.00 FEMALE HEADER
 SINGLE ROW DIP TYPE
 BASE 4.30H