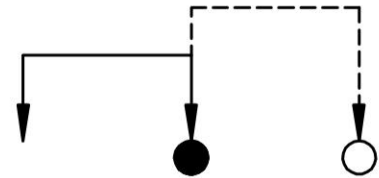
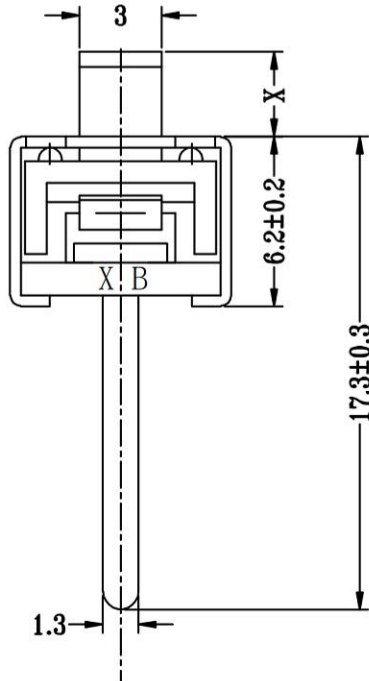
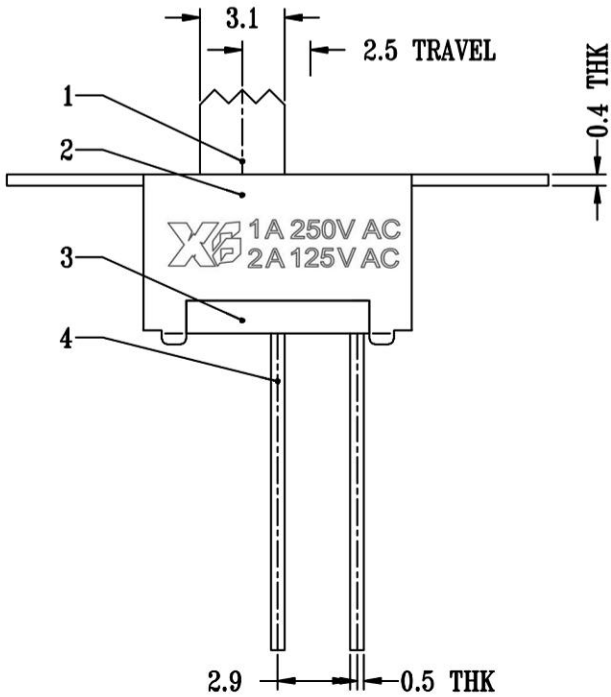
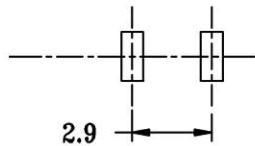


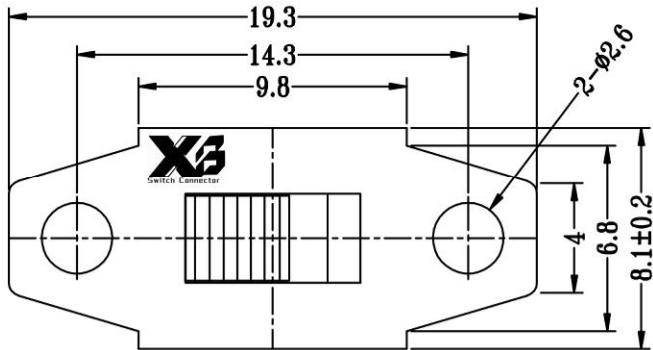
ROHS



SCHEMATIC (NON-SHORTING)



**P.C.B LAYOUT
BOTTOM VIEW**



X:2-10MM

SPECIFICATION (INITIAL)

RATING:	1A 2A 125V 250 AC
CONTACT RESISTANCE:	Not more than 30mΩ
INSULATION RESISTANCE:	50 MΩ at 500V DC
WITHSTAND VOLTAGE:	AC 500V for 1 min
OPERATION FORCE:	300±100g
SWITCHING LIFE:	10000 Cycles(6-10c/m loading)

The material contained in this drawing is the property of XiBang. Any use other than that specifically authorized by XiBang is prohibited. The above drawing IS subjected to change for improvement without prior notice.

		东莞市溪榜电子有限公司 DONG GUAN XI BANG ELECTRONICS CO., LTD								
		TITLE : XB SLIDE SWITCH		MODEL : XB-SS-12E88-2P-E-L		TOLERANCE ≤1.5mm±0.1 > 1.5mm±0.2 >=10mm±0.3		ANGLE ±2°		
UNIT : MM	DWN.	ZENQ. CHEN	DATE							
SCALE : 3 : 1	CHK'D	PENG. GAO	DATE							
VBRSION	01	APPD.	FEI. LONG. HE	DATE						
						7	SPRING	STEEL WIRE	1	NATURE
						6	STEEL BALL	STEEL	1	NATURE
						5	BOARD	PHENOLIC RESIN	1	NATURE
						4	CONTACT CLIP	PBS STRIP	2	Ag PLATED
						3	FRAME	IRON STRIP	1	Ni PLATED
						2	TERMINAL	BRASS STRIP	8	Ag PLATED
						1	KNOB	POM	1	BLACK
						NO.	PART NAME	MATERIAL	QTY.	FINISHING