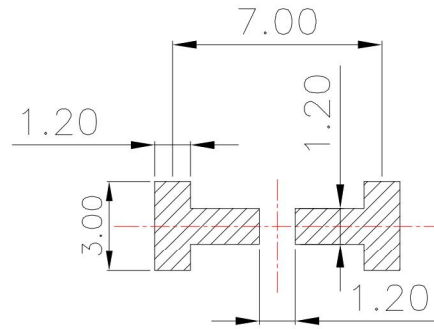
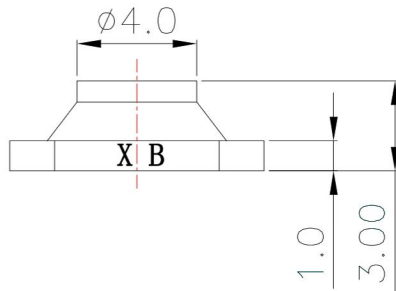
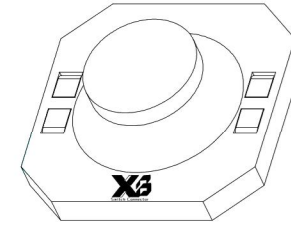
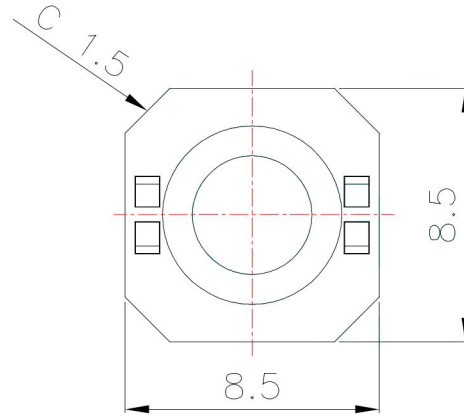
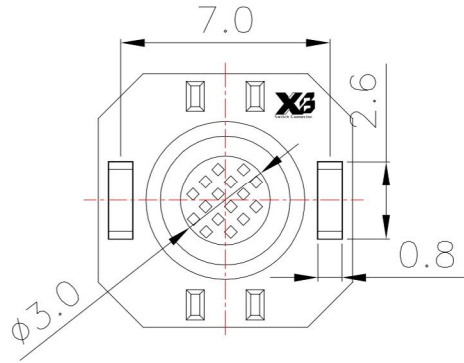


ROHS



PCB Layout(Pattern side)



Circuit Diagram

NOTE:
 Forcel: 90 ± 30 gf
 Travel: 1.0 ± 0.2 mm
 Life: 2,000,000 Cycles

ITEM	PART NAME	TER'NO.	QTY.	MATERIAL	FINISHING	REMARK
②	Terminal	—	2	Brass	Plating silver	———
①	Keystoke	—	1	Silica gel	Red	———



东莞市溪榜电子有限公司
 DONG GUAN XI BANG ELECTRONICS CO., LTD

TITLE : XB TACT SWITCH

MODEL : XB-TS-8530M 防水硅胶导电开关2脚 8.5x8.5x3.0mm



TOLERANCE
 $\leq 1.5\text{mm} \pm 0.1$
 $> 1.5\text{mm} \pm 0.2$
 $> 10.0\text{mm} \pm 0.3$

ANGLE TOL
 $\pm 2^\circ$

UNIT : MM	DWN.	ZENQ. CHEN	DATE	
SCALE : 5 : 1	CHK'D	PENG. GAO	DATE	
VERSION	01	APPD.	FEI. LONG. HE	DATE

8	REEL	PS	1	BLUE
7	CARRIER	PS	1	CLEAR
6	COVER TAPE	PS	1	CLEAR
5	CONTACT	PBS STRIP	1	Ag CLAD
4	COVER	IRON STRIP	1	Ni PLATED
3	CASE	NYLON	1	BLACK
2	TERMINAL	BRASS STRIP	2	Ag PLATED
1	KNOB	NYLON	1	BLACK
NO.	PART NAME	MATERIAL	QTY.	FINISHING