

F

E

D

C

B

A

F

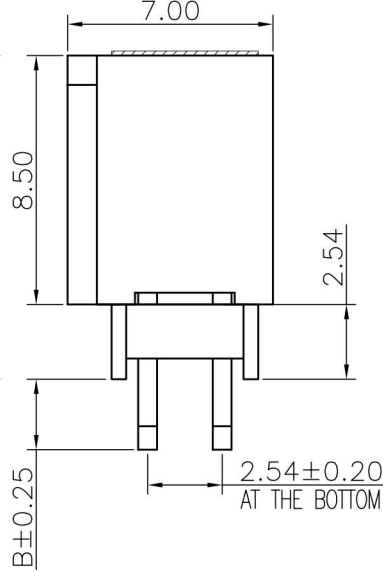
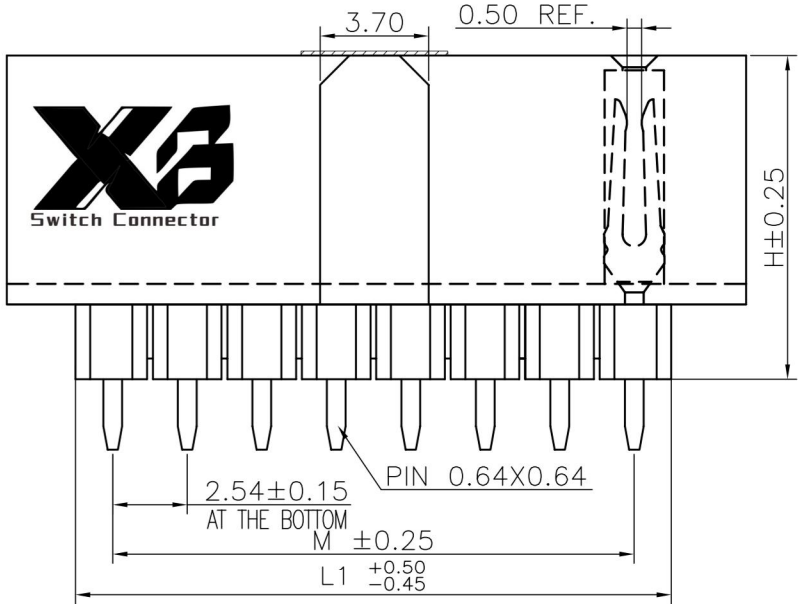
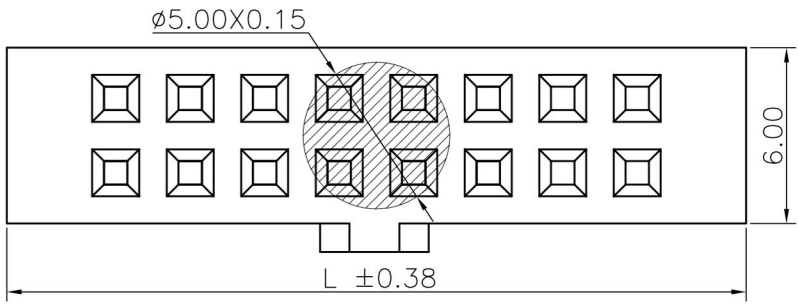
E

D

C

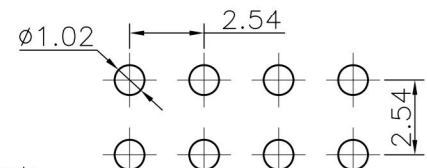
B

A



Specifications
 Current Rating:3.0Amp
 Insulation Resistance:1000MΩMin.
 Dielectric Withstanding Voltage:600VAC
 Contact Resistance:20mΩMax.
 Operating Temperature:-40°C to +105°C
 Materials
 Contact Material:
 Phosphor Bronze
 Insulator Material:
 PBT(Not resistant to high temperature),
 Nylon(High temperature resistance),
 LCP(High temperature resistance),
 UL 94V-0
 All materials must meet XI BANG
 hazardous substances control standards.

Recommended P.C.Board
 Layout
 (Tolerance:±0.05)



Ordering Information

XB-PM-A-254-218

- Plastic specifications
 - 1=Single row
 - 2=Dual row
 - 3=Tripe row
 - 4=Quadruple
- Water code
- No. of Pins per Row 03~36
- Positioning column information
 - A=No locating post
 - B=Round post
 - C=Square post
- Plating code
 - 01=Tin
 - 02=Gold Flash
 - 05=Gold Flash/Tin
 - 22=Matte Tin
- Pin length See the drawing
- Insulator Material
 - A=PBT
 - R=Nylon(Halogen Free)
 - C=LCP
- Color
 - 1=Black
 - 2=White
 - 3=Yellow
 - E=Beige
- Contact Material
 - A/S/K/T=Phosphor Bronze
- Packing code
 - A=Box
 - B=Tray
 - C=Tube
 - D=Tape&Reel
 - E=Cap+Tube
 - F=Cap+Tape&Reel
 - G=Acetate Tape+Tube
 - H=Acetate Tape+Tape&Reel

No. of PIN/ROW	Dimension Information		
	M	L	L1
03	5.08	12.50	7.62
04	7.62	15.04	10.16
05	10.16	17.58	12.70
06	12.70	20.12	15.24
07	15.24	22.66	17.78
08	17.78	25.20	20.32
09	20.32	27.74	22.86
10	22.86	30.28	25.40
11	25.40	32.82	27.94
12	27.94	35.36	30.48
13	30.48	37.90	33.02
14	33.02	40.44	35.56
15	35.56	42.98	38.10
16	38.10	45.52	40.64
17	40.64	48.06	43.18
18	43.18	50.60	45.72
19	45.72	53.14	48.26
20	48.26	55.68	50.80
21	50.80	58.22	53.34
22	53.34	60.76	55.88
23	55.88	63.30	58.42
24	58.42	65.84	60.96
25	60.96	68.38	63.50
26	63.50	70.92	66.04
27	66.04	73.46	68.58
28	68.58	76.00	71.12
29	71.12	78.54	73.66
30	73.66	81.08	76.20
31	76.20	83.62	78.74
32	78.74	86.16	81.28
33	81.28	88.70	83.82
34	83.82	91.24	86.36
35	86.36	93.78	88.90
36	88.90	96.32	91.44

XB 东莞市溪榜电子有限公司
 DONG GUAN XI BANG ELECTRONICS CO., LTD.

GENERAL TOLERANCE	
X.*±5.0°	X.±0.30
.X*±3.0°	.X±0.25
.XX*±2.0°	.XX±0.15
.XXX*±1.0°	.XXX±0.10

DWG. NO.
XB-PM-A-254-218
 PART NO.
XB-PM-A-254-218

TITLE.
**2.54 FEMALE HEADER
 DUAL ROWS DIP TYPE
 CONNECTOR**

REV.	UNIT.	SCALE.	PAGE.
01	mm	4:1	1/1