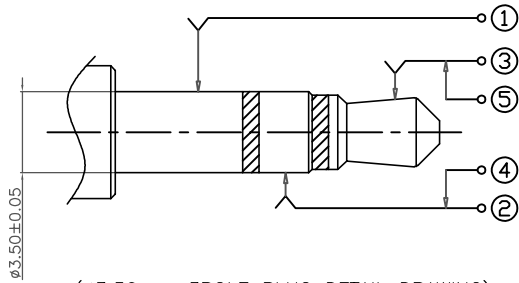
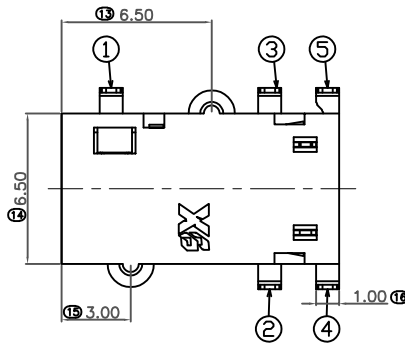
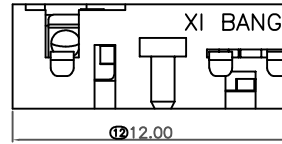
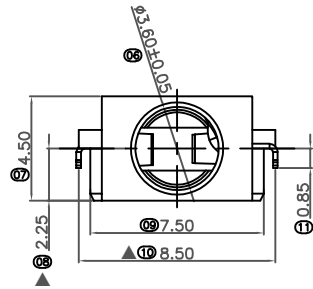


RECOMMEND PCB LAYOUT T=0.6mm(TOP VIEW)  
GENERAL TOLERANCE:±0.05



(ø3.50mm 3POLE PLUG DETAIL DRAWING)

备注:

- 1.额定电流: DC 12V,1A
- 2.接触阻抗: 30mΩ MAX.
- 3.绝缘阻抗: 100MΩ MIN.
- 4.耐电压: 500V AC
- 5.使用寿命: 5000次
- 6.插入力: 3-30N
- 7.拔出力: 3-30N
- 8.回流焊温度: 260°C±5°C
- 9.标注"⊗"为FAI量测尺寸
- 10.标注"▲"为重点检验尺寸

|      |           |      |                   |   |
|------|-----------|------|-------------------|---|
| ⑥    | HOUSING   | 1    | PA10T,UL94V-0     | Black   |
| ⑤    | CONTACT E | 1    | C5191-EH T=0.20mm | Contact area:Gold flash<br>Welding area:Gold flash<br>Nickel base:50u" Ni Min |
| ④    | CONTACT D | 1    | C5191-EH T=0.20mm |   |
| ③    | CONTACT C | 1    | C5191-EH T=0.20mm |   |
| ②    | CONTACT B | 1    | C5191-EH T=0.20mm |   |
| ①    | CONTACT A | 1    | C5191-EH T=0.20mm |   |
| ITEM | PART NAME | Q'TY | MATERIAL          | DESCRIPTION   |

UNLESS OTHERWISE SPECIFIED TOLERANCES

**XI BANG** 东莞市溪榜电子有限公司  
DONG GUAN XI BANG ELECTRONICS CO., LTD.

DECIMALS:

ANGLES:

DESIGN:

Gao. Peng  
2020.3.15

PART NAME:  
Φ3.5mm Phone Jack CONN.

DIM TOL

DIM TOL

CHECK:

He. Long. Fei

PART NO.  
XB-PJ-03505-0905-00000H

X. ±0.50

X. ±2'

APPROVED

2020.3.15

SHEET: 1/1 REV.: A1

X.X ±0.30

X.X ±1'

UNIT:

mm

DRAWING NO

X.XX ±0.20

X.XX

3RD ANGLE PROJECTION

DATE

REV.

X.XXX ±0.10

X.XXX

DESCRIPTION

DESIGN

ECN NO.

REV.

ECN NO.

DESCRIPTION

DESIGN

DATE

8

7

6

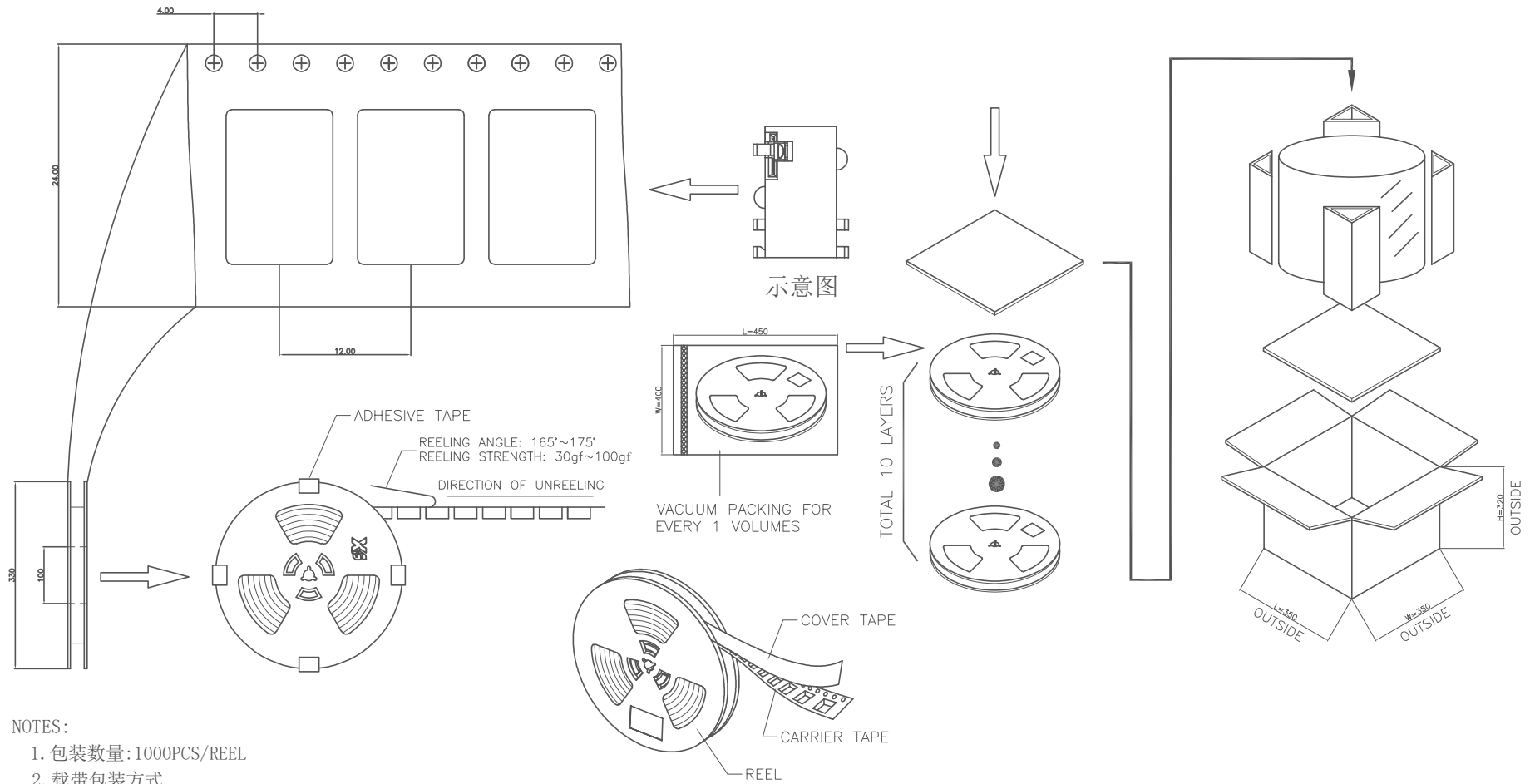
5

4

3

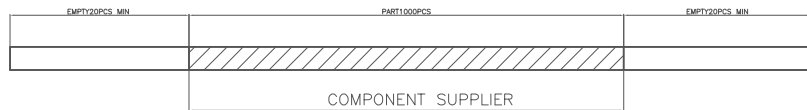
2

1



NOTES:

1. 包装数量: 1000PCS/REEL
2. 载带包装方式



3. 每1卷用PE袋真空包装
4. 装箱数量: 10000/CARTON
5. 载带: PET T=0.40mm, 透明/冷封
6. 重量:  
净重: 4.43KG 0.443g/PCS

|                                       |       |         |     |   |   |
|---------------------------------------|-------|---------|-----|---|---|
| UNLESS OTHERWISE SPECIFIED TOLERANCES |       |         |     | <b>东莞市溪榜电子有限公司</b><br>DONG GUAN XI BANG ELECTRONICS CO., LTD. |   |
| DECIMALS:                             |       | ANGLES: |     | DESIGN:   | Gao. Peng<br>2020.3.15                        |
| DIM                                   | TOL   | DIM     | TOL | CHECK:  | PART NAME:<br>Φ3.5mm Phone Jack CONN.<br>-包装图 |
| X.                                    | ±0.50 | X.      | ±2° |   |   |
| X.X                                   | ±0.30 | X.X     | ±1° |   |   |
| X.XX                                  | ±0.20 | X.XX    | —   |   |   |
| X.XXX                                 | ±0.10 | X.XXX   | —   |   |   |
| 3RD ANGLE PROJECTION                  |       | UNIT:   | mm  | APPROVED  | He. Long. Fei<br>2020.3.15                    |
|                                       |       |         |     | PART NO.<br>XB-PJ-03505-0905-00000H                           |   |
|                                       |       |         |     | SHEET: 1/1   REV.: A1   |   |
|                                       |       |         |     | DRAWING NO  |   |

|      |         |             |        |      |
|------|---------|-------------|--------|------|
| REV. | ECN NO. | DESCRIPTION | DESIGN | DATE |
|------|---------|-------------|--------|------|

8 | 7 | 6 | 5 | 4 | 3 | 2 | 1