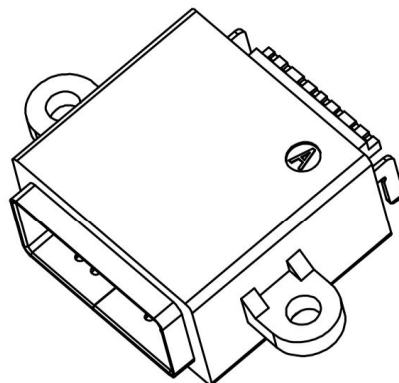
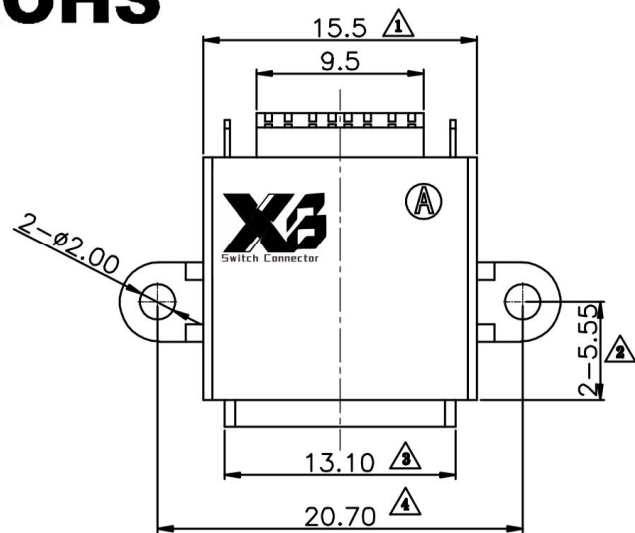


# ROHS

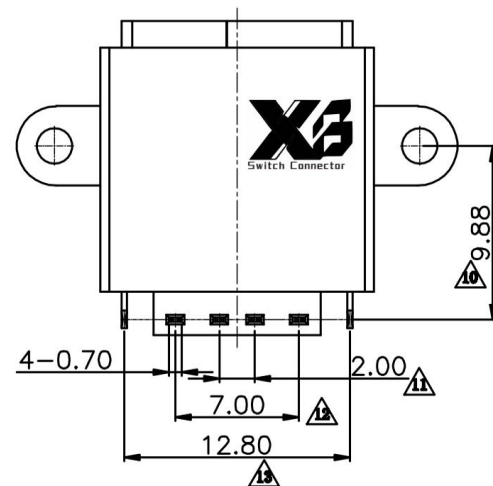
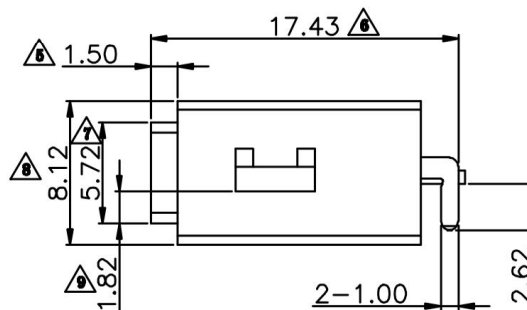
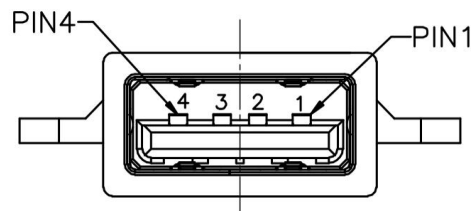
REV.	ECN. NO.	APPD.



NOTES:

SPECIFICATION:

1. CURRENT RATING: 3.0A MAX
2. DIELECTRIC WITHSTAND VOLTAGE: 100VAC
3. TEMPERATURE RANGE: -30 °C ~ 85 °C
4. CONTACT RESISTANCE: 40 MILLIONHM MAX
5. INSULATION RESISTANCE: 100 MEGOHMS MIN.
6. INSERTION FORCE :8N~35N
7. UNMATING FORCE: 8N~35N
8. DURABILITY:1500 CYCLES



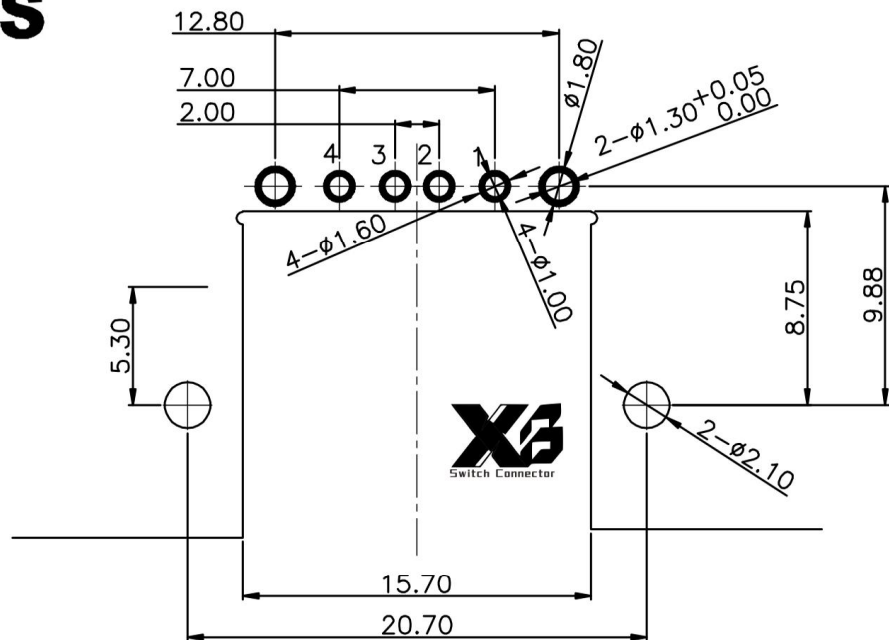
3	Shell	1	SUS 301 1/4H	
3	PLASTIC Shell	1	PA9T&LCP (G.F30%)	
2	Contact	4	BRASS C2680-EH Au/Ni Plating T=0.25mm	
1	Housing	1	PA10T (G.F30%)	

ITEM	PART NAME	Q' TY	FINISH	NOTE	
X.	± 0.50	X.° ± 2°	UNITS mm	 <b>东莞市溪榜电子有限公司</b> DONG GUAN XI BANG ELECTRONICS CO., LTD	
.X	± 0.30	.X° ± 1°			
.XX	± 0.10	.XX° ± 0.5°			
.XXX	± 0.05				
			MAT'L	PART NO. XB-USB-A-4P-1192A-RC300-IPX7	
			FINISH	TITLE: SUBSIDE USB 2.0 A TYPE	
THESE DRAWINGS AND SPECIFICATIONS ARE THE PROPERTY OF XI BANG ELECTRONIC TECHNOLOGY CO., LTD. AND SHALL NOT BE REPRODUCED, COPIED OR USED IN ANY MANNER WITHOUT THE PRIOR WRITTEN CONSENT OF XI BANG ELECTRONIC TECHNOLOGY CO., LTD			Q' TY	DWG NO. : XB-USB-A-4P-1192A-RC300-IPX7	
			APPD:	GAO. PENG	 SCALE SHEET REV. 1/1 1/2 A2
			CHKD:	HE. LONG. FEI	
			DR:	PANG. DONG	

由 Autodesk 教育版产品制作

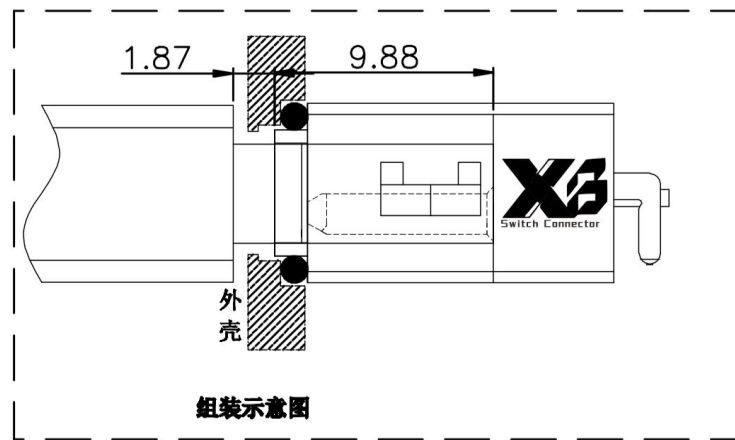
# ROHS

REV.	ECN. NO.	APPD.



RECOMMENDED PCB LAYOUT(TOP VIEW)

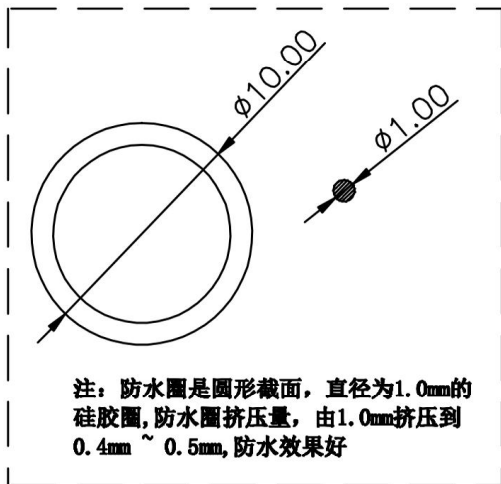
THICKNESS T=1.6mm  
DEFAULT TOLERANCE+/-0.05



PIN ASSIGNMENT

PIN NO.	1	2	3	4
SINGAL NAME	VBUS	D-	D+	GND

**注意此母座为反脚位。**



X. ±0.50	X.° ±2°	UNITS mm	<b>东莞市溪榜电子有限公司</b> DONG GUAN XI BANG ELECTRONICS CO., LTD	TITLE:	
				SUBSIDE USB 2.0 A TYPE	
.X ±0.30	.X° ±1°	MAT'L	PART NO. XB-USB-A-4P-1192A-RC300-IPX7	DWG NO.:	
.XX ±0.10	.XX° ±0.5°			XB-USB-A-4P-1192A-RC300-IPX7	
.XXX ±0.05		FINISH	APPD: GAO. PENG	SCALE	
THESE DRAWINGS AND SPECIFICATIONS ARE THE PROPERTY OF XI BANG ELECTRONIC TECHNOLOGY CO., LTD. AND SHALL NOT BE REPRODUCED, COPIED OR USED IN ANY MANNER WITHOUT THE PRIOR WRITTEN CONSENT OF XI BANG ELECTRONIC TECHNOLOGY CO., LTD			CHKD: HE. LONG. FEI		SHEET
		DR: PANG. DONG	1/1		

由 Autodesk 教育版产品制作

由 Autodesk 教育版产品制作