

Material:

\* Insulation:

Glass filled polyester UL 94V-0

\* Contact: Brass

Ordering Code:

CA21 \*\* S A 1 \*0  
 ① ② ③ ④ ⑤ ⑥

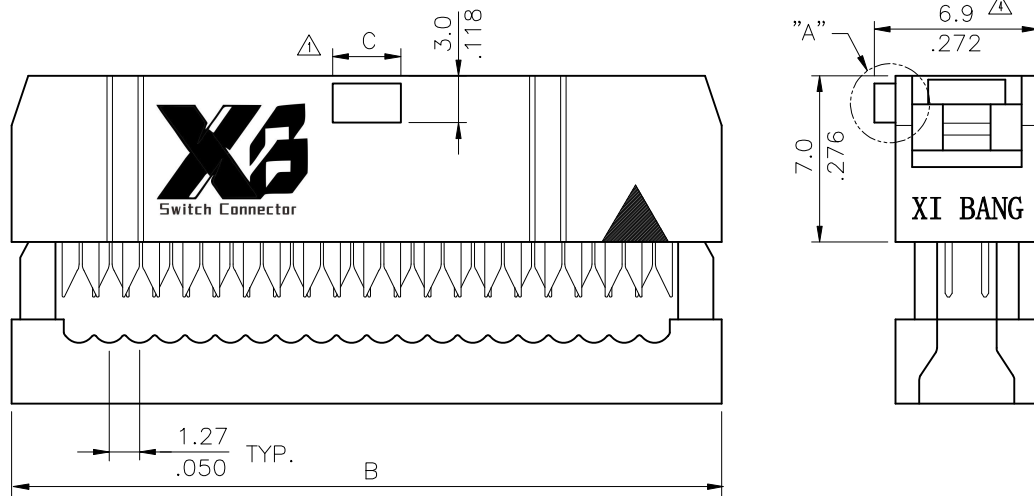
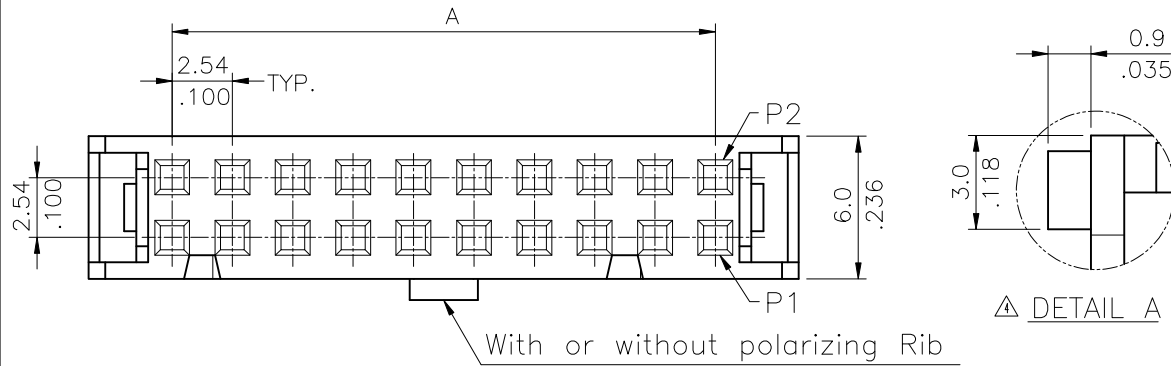
- ① Series No.
- ② No. of Circuits
- ③ Contact type: S= Socket

④ Plating option:

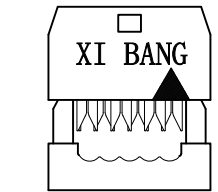
- A= Selective Gold flash plated over 1.27 $\mu$ m(50 $\mu$ "") Nickel
- B= Selective 0.38 $\mu$ m(15 $\mu$ "") Gold plated over 1.27 $\mu$ m(50 $\mu$ "")Nickel
- C= Selective 0.76 $\mu$ m(30 $\mu$ "") Gold plated over 1.27 $\mu$ m(50 $\mu$ "") Nickel

⑤ Color: 1= Black

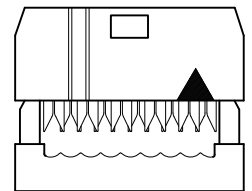
- ⑥ Other Options:  
 00= Standard  
 A0= Without Polarizing Rib



Circuits	Dimension		
	A	B	C
6	5.08(.200)	12.32(.472)	1.85(.072)
8	7.62(.300)	14.86(.585)	1.85(.072)
10	10.16(.400)	17.40(.685)	3.50(.138)
12	12.70(.500)	19.94(.785)	3.50(.138)
14	15.24(.600)	22.48(.885)	3.50(.138)
16	17.78(.700)	25.02(.985)	3.50(.138)
20	22.86(.900)	30.10(1.185)	3.50(.138)
24	27.94(1.100)	35.18(1.381)	3.50(.138)
26	30.48(1.200)	37.72(1.485)	3.50(.138)
30	35.56(1.400)	42.80(1.685)	3.50(.138)
34	40.64(1.600)	47.88(1.885)	3.50(.138)
36	43.18(1.700)	50.42(1.985)	3.50(.138)
40	48.26(1.900)	55.50(2.185)	3.50(.138)
44	53.34(2.100)	60.58(2.385)	3.50(.138)
50	60.96(2.400)	68.20(2.685)	3.50(.138)



△ 6,8 Citcuits

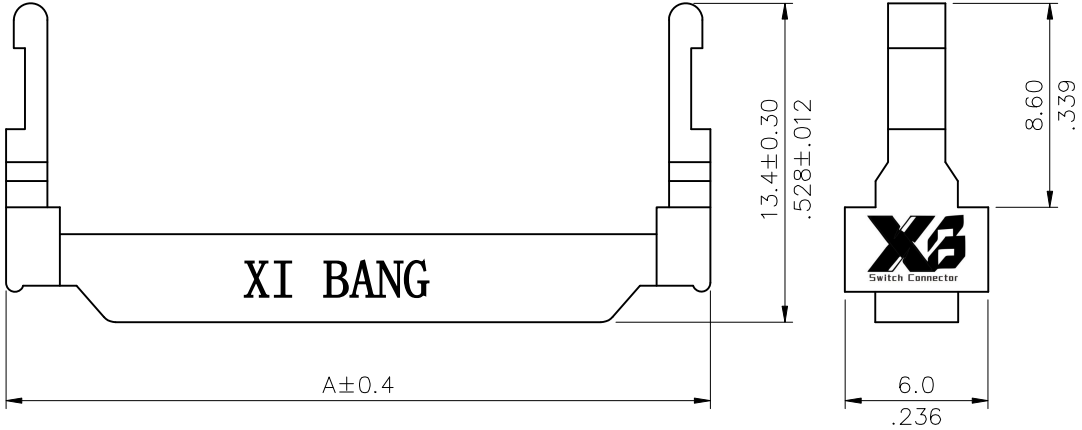


10,12 Citcuits

RoHS Compliant

△8	Yushu	12/12-19'	ECRT119066/ECNT120007		DATE	UNIT: mm / inch	TITLE: 2.54MM(.100")	<b>东莞市溪榜电子有限公司</b> DONG GUAN XI BANG ELECTRONI CS CO., LTD.
△7	Ken	2/12-19'	ECNT119043	DRAWN BY: Yushu	1/9-20'	TOLERANCE UNLESS OTHERWISE SPECIFIED	RIBBON CABLE I.D.C. CONNECTOR	
△6	Ken	1/9-17'	ECRB116097/ECNT117076	ENGINEER: Sun	1/13-20'	.X ± 0.30/.012 X' ± 1'	MATERIAL:	DRAWING NO. CA2101SM PART NO. CA21**S*1*0
△5	Kevin	4/8-09'	ECN09188	CHECKED BY: Eislely	1/20-20'	.XX ± 0.20/.008 X' ±	FINISH:	SCALE 3 / 1 SHEET 1 OF 1
SYM	NAME	DATE	REVISIONS	APPROVED BY: Eislely	1/20-20'	.XXX ± 0.10/.004 .XX' ±		

Material: Glass filled polyester UL 94V-0



Circuits	Dimension
	A
6	12.2(.480)
8	14.7(.579)
10	17.3(.681)
12	19.8(.780)
14	22.3(.878)
16	24.9(.980)
20	30.0(1.181)
24	35.0(1.378)
26	37.6(1.480)
30	42.7(1.681)
34	47.7(1.878)
36	50.2(1.976)
40	55.4(2.181)
44	60.4(2.378)
50	68.1(2.681)

Ordering Code:

CA21 \*\* SR 100  
 ① ② ③ ④

- ① Series No.
- ② No. of Circuits
- ③ SR= Strain-Relief
- ④ Color: 100= Black

RoHS Compliant

④	Yushu	12/12-19'	ECRT119066/ECNT120007		DATE	UNIT: mm / inch	TITLE:	<b>东莞市溪榜电子有限公司</b> DONG GUAN XI BANG ELECTRONICS CO., LTD.
③	Ken	2/12-19'	ECNT119043	DRAWN BY:	Yushu	1/9-20'	2.54MM(.100") STRAIN RELIEF	
②	Ken	3/29-17'	ECRB116097/ECNT117076	ENGINEER:	Sun	1/13-20'	MATERIAL:	DRAWING NO. CA2102SI PART NO. CA21**SR100
①	Sandy	5/03/05'	ECN05147/ECR05039-0	CHECKED BY:	Eisley	1/20-20'	FINISH:	
SYM	NAME	DATE	REVISIONS	APPROVED BY:	Eisley	1/20-20'		SCALE 3 / 1 SHEET 1 OF 1