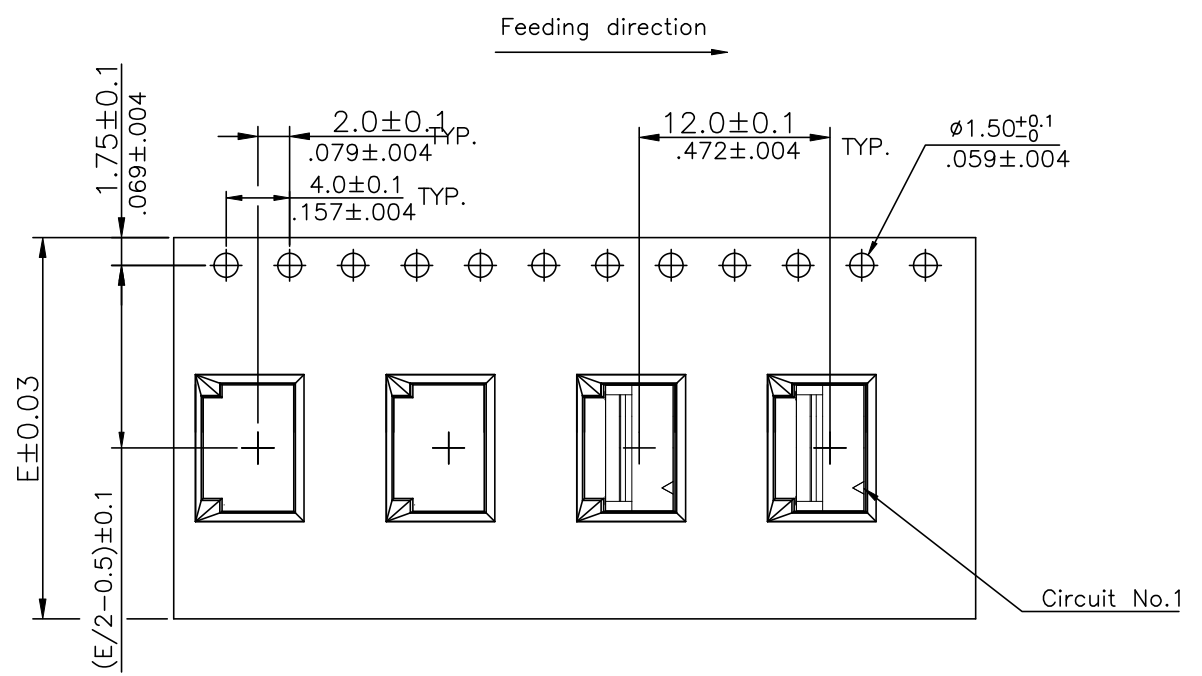
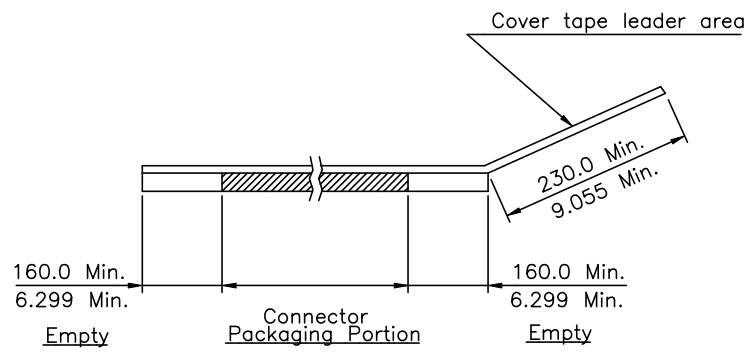


- NOTES:
1. Reel Material : HIPS
  2. 10 sprocket hole pitch cumulative tolerance  $\pm 0.20$
  3. Carrier camber is within 1 mm in 250 mm.
  4. Material :Transparent ps.
  5. All dimensions meet EIA-481 requirements.
  6. Thickness :  $0.35 \pm 0.05$ mm.
  7. Quantity : 1500 pcs.

Circuits	Dimension				Packing (Reel/Carton)
	E	W1	W2	W3	
02~06 PIN	16.0(.630)	16.5(.650)	22.5(.886)	16.5(.650)	11
07~12 PIN	24.0(.945)	24.5(.965)	30.5(1.201)	24.5(.965)	9



RoHS Compliant

SYM	NAME	DATE	REVISIONS	APPROVED BY:	DATE	UNIT: mm / inch	TITLE: 1.00MM(.039") WIRE TO BOARD CONNECTOR	MATERIAL:	CUSTOMER:	DRAWING NO.	PART NO.	SHEET	OF	2
4					DATE	UNIT: mm / inch	TITLE: 1.00MM(.039")							
3				DRAWN BY: Amy	12/11-23'	TOLERANCE UNLESS OTHERWISE SPECIFIED	WIRE TO BOARD CONNECTOR							
2	Amy	12/11-23'	ECNT123179/ECRB123029	ENGINEER: Sun	12/11-23'	.X ±								
1	Tim	10/12-10'	ECN10334-0	CHECKED BY: Easley	12/11-23'	.XX ±								
				APPROVED BY: Easley	12/11-23'	.XXX ±								

**X3** 东莞市溪榜电子有限公司  
DONG GUAN XI BANG ELECTRONICS CO., LTD.

DRAWING NO. CI1428SB PART NO. CI14\*\*M1HRE-NH  
SCALE SHEET 2 OF 2