

Material

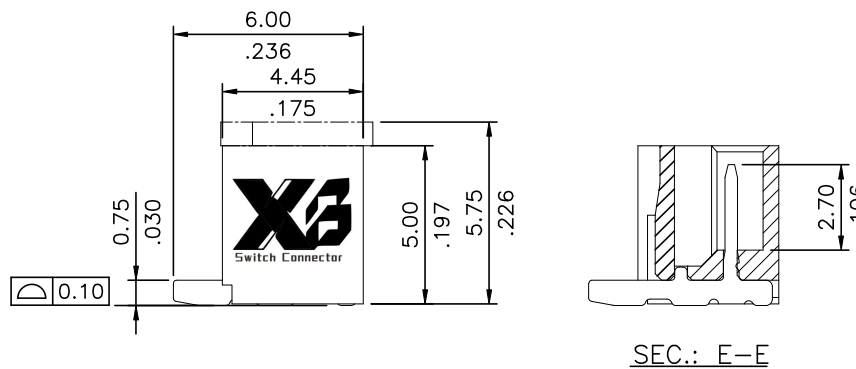
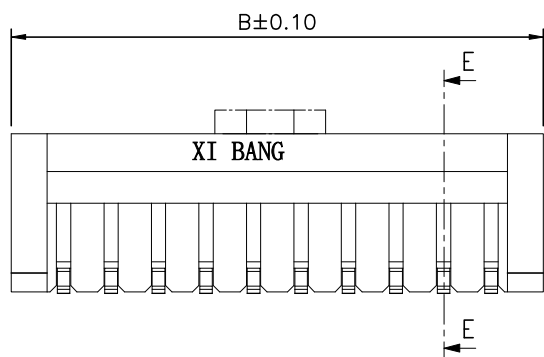
Insulator: Halogen Free Plastic
UL 94V-0 Color Black

Contact: Copper alloy

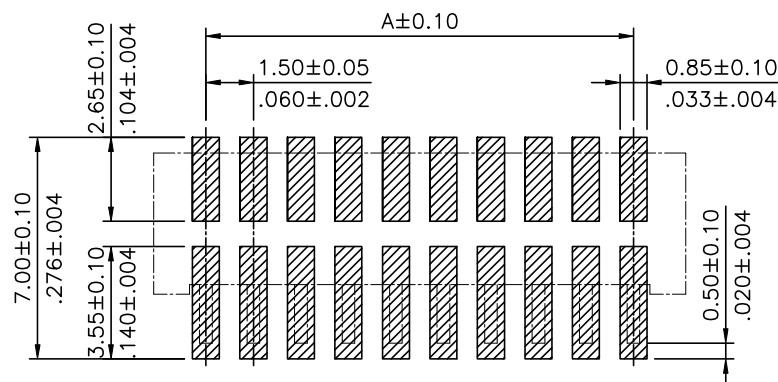
ORDERING CODE

CI19 ** M * V R0 -NH
① ② ③ ④ ⑤ ⑥ ⑦

- ① Series No.
- ② Contact: 02 to 20
- ③ M= SMT Type
- ④ Plating :
1= 2.5μm(100μ") Min. Matte Tin Plating on Contact area and Solderails, 1.27μm(50μ") Nickel Underplating over all
2= 0.03um(0.8μ") Min. Gold Flash Plating on Contact area and Solderails, 1.27um(50μ") Nickel Underplating over all
- ⑤ Contact type: V= Top entry
- ⑥ Packing option:
R0= Tape & Reel Packing
- ⑦ -NH= For Lead Free IR Processes and Halogen-Free



SEC.: E-E



Recommended P.C. Board Layout

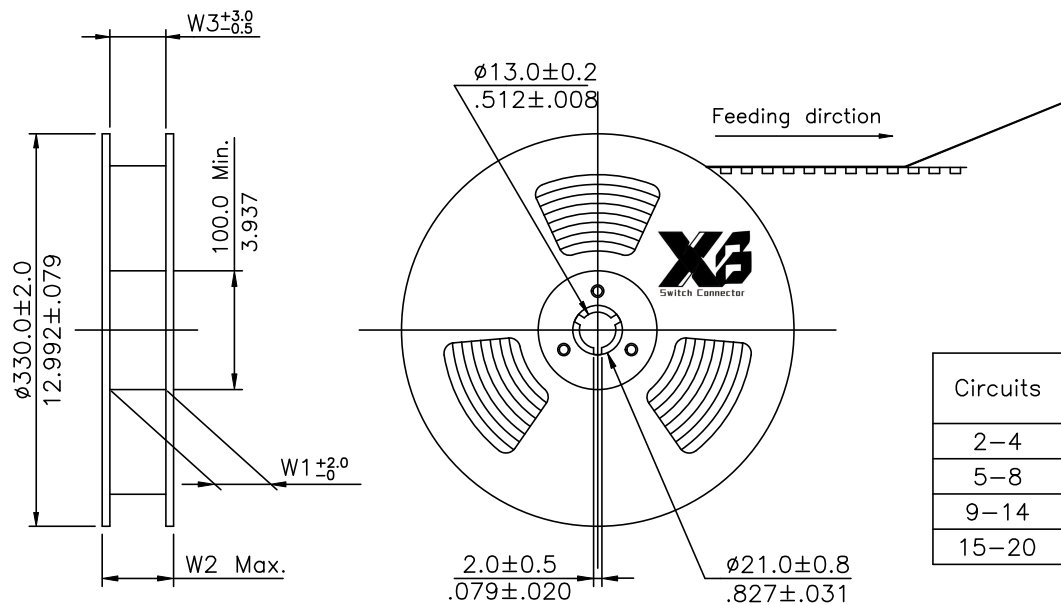
DIM. A = 1.50 x NO. OF SPACES
DIM. B = DIM. A + 3.3
DIM. C = DIM. A + 1.8

* AVAILABLE IN 2 THROUGH 20 CIRCUITS

Halogen-Free	Lead Free Process	RoHS Compliant
--------------	-------------------	----------------

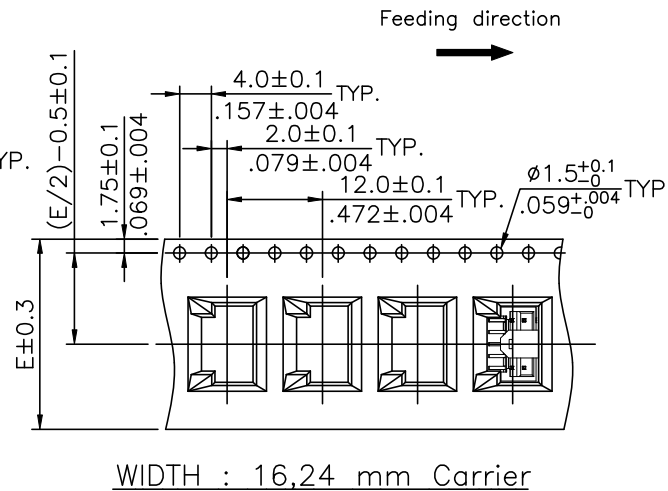
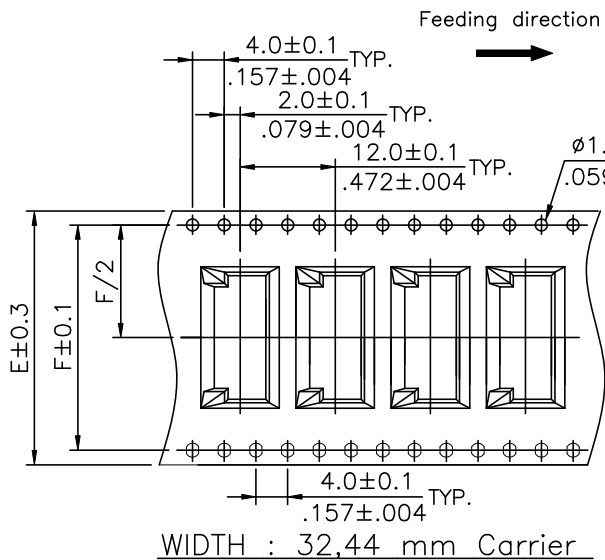
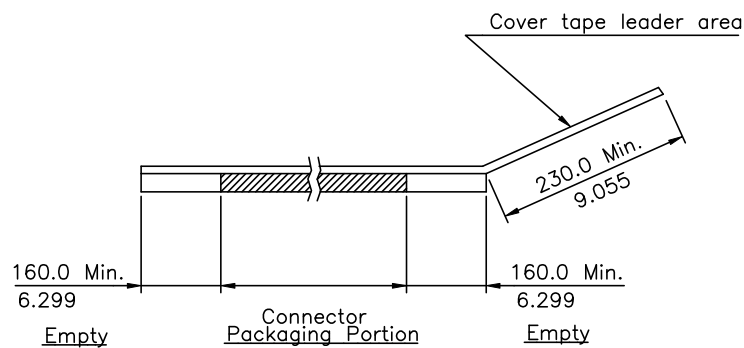
④					DATE	UNIT: mm / inch	TITLE: 1.5mm Pitch WTB SMT V TYPE	
③	Jack	12/29-23'	ECNT123179/ECRB123029	DRAWN BY: Jack	12/29-23'	TOLERANCE UNLESS OTHERWISE SPECIFIED	MATERIAL: FINISH:	
②	Sun	4/22-19'	ECNT119105	ENGINEER: Sun	12/29-23'	.X ± 0.30/.012 X' ± 1'		
①	Sun	10/13-15	ECRH115038/ECNT115236	CHECKED BY: Easley	12/29-23'	.XX ± 0.20/.008 X' ±		
SYM	NAME	DATE	REVISIONS	APPROVED BY: Easley	12/29-23'	.XXX ± 0.10/.004 .XX' ±	DRAWING NO. CI1902SD PART NO. CI19**M*VRO-NH	
							SCALE 4 / 1	SHEET 1 OF 2

XI BANG 东莞市溪榜电子有限公司
DONG GUAN XI BANG ELECTRONICS CO., LTD.



- NOTE :
- △3 * Reel Material : HIPS
 - * Carrier Material : Black, Polystyrene alloy
 - * Cover Tape Material : Polyester
 - * Cover Tape Peel Strength : 0.1N – 1.3N
 - * Carrier camber is within 1mm in 100mm
 - △3 * All dimensions meet EIA-481 requirements.
 - * Quantity : 900 PCS/Reel

Circuits	Dimension					Packing (Reel/Carton)
	E	F	W1	W2	W3	
2-4	16.0(.630)	-	16.5(.650)	22.5(.886)	16.5(.650)	11
5-8	24.0(.945)	-	24.5(.965)	30.5(1.201)	24.5(.965)	9
9-14	32.0(1.260)	28.40(1.118)	32.5(1.280)	38.5(1.516)	32.5(1.280)	7
15-20	44.0(1.732)	40.40(1.591)	44.5(1.752)	50.5(1.988)	44.5(1.752)	5



RoHS Compliant

SYM	NAME	DATE	REVISIONS	APPROVED BY:	Eisley	12/29-23'	UNIT: mm / inch	TITLE: 1.5mm Pitch WTB SMT V TYPE	MATERIAL:	FINISH:	DRAWING NO. CI1902SD	PART NO. CI19**M*VRO-NH	SHEET 2 OF 2
4							DATE	1.5mm Pitch WTB SMT V TYPE					
3	Jack	12/29-23'	ECNT123179/ECRB123029	DRAWN BY:	Jack	12/29-23'	UNIT: mm / inch	1.5mm Pitch WTB SMT V TYPE					
2	Sun	4/22-19	ECNT119105	ENGINEER:	Sun	12/29-23'	TOLERANCE UNLESS OTHERWISE SPECIFIED						
1	Sun	10/13-15	ECRH115038/ECNT115236	CHECKED BY:	Eisley	12/29-23'	.X ±	.X' ± 1'					
							.XX ±	.X' ±					
							.XXX ±	.XX' ±					

XB 东莞市溪榜电子有限公司
Switch Connector DONG GUAN XI BANG ELECTRONICS CO., LTD.