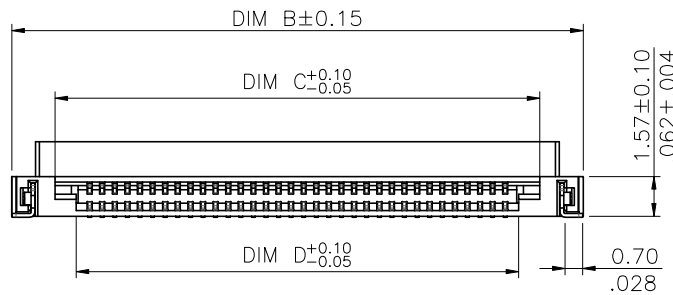
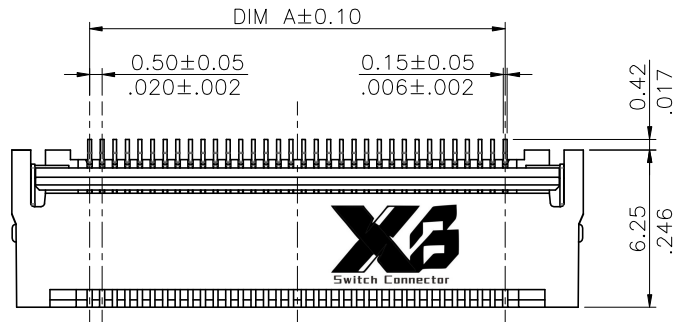


Material :

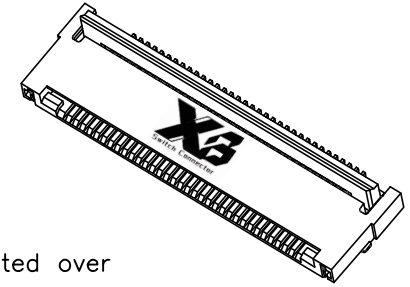
- * Base: High temperature plastic UL 94V-0, Color Nature
- * Cover: High temperature plastic UL 94V-0, Color Black
- * Contact: Phosphor Bronze
- * Fixed tab: Brass with 2.50um(100u'') Matte Tin
Plated over 1.27um(50u'') Min.Nicke



Ordering Code

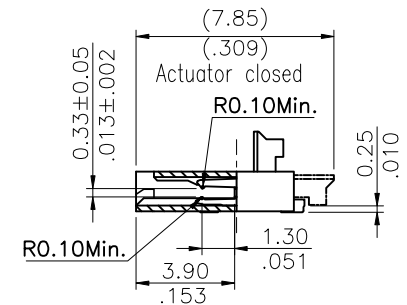
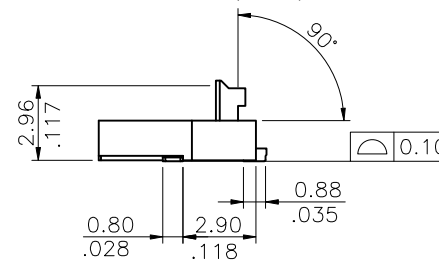
CF88 ** * H 0 R0 -05 -NH
① ② ③ ④ ⑤ ⑥ ⑦ ⑧

- ① Series No.
- ② No. of Circuits: 4~50 PIN
- ③ Plating code:
1= 2.00um(80u'') Min.Matte Tin plated over 1.27um(50u'') Min.Nicke
F= 0.02um(0.8u'') Min.Gold Flash plating on Contact area and Soldertails, 1.27um(50u'') Min. Nickel Underplating over all
7= 0.08um(3.0u'') Min.Gold Flash plating on Contact area and Soldertails, 1.27um(50u'') Min. Nickel
- ④ Contact style: H= Up and down contact
- ⑤ 0= Color Nature
- ⑥ Packing: R0= Tape & Reel packing
- ⑦ -05= Pitch 0.5mm
- ⑧ -NH= For Lead Free IR Processed and Halogen Free



NO. of CONTACTS:


- DIM A=0.50(.032) X (No. of Circuits-1)
- DIM B=A+6.20(.244)
- DIM C=A+2.75(.108)
- DIM D=A+1.10(.060)

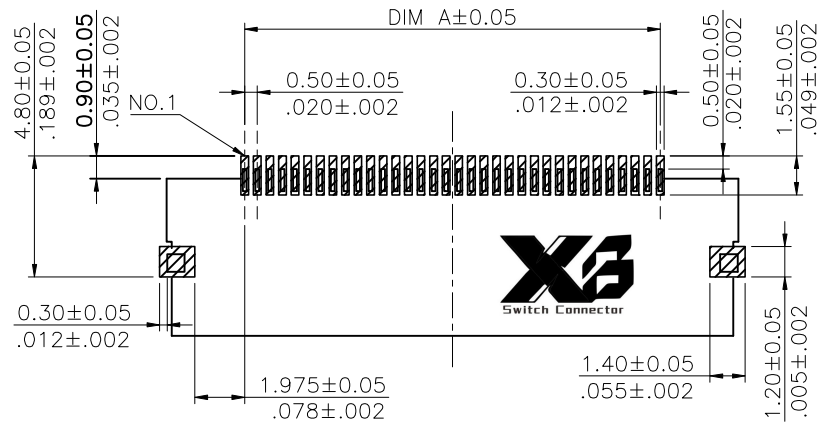


Lead Free Process

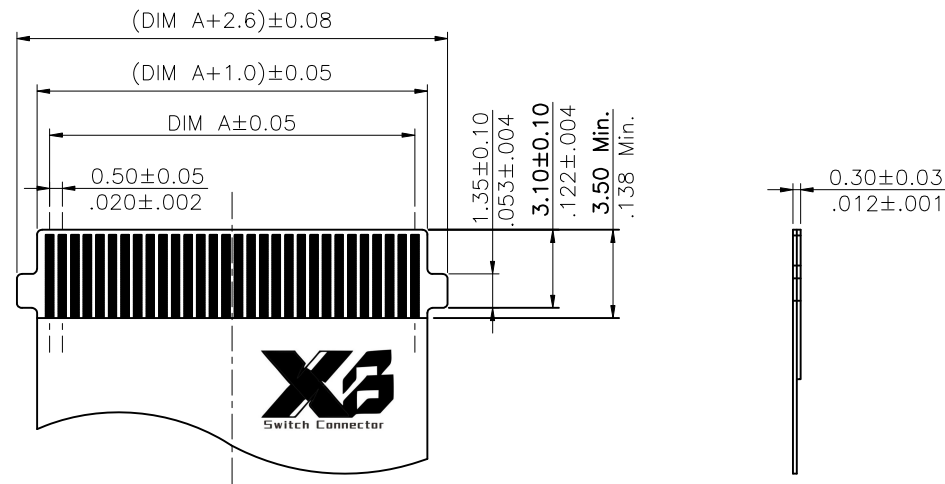
Halogen-Free

RoHS Compliant

④					DATE	UNIT: mm / inch	TITLE: 0.80mm(.032") ZIF FFC/FPC BACK FLIP CONNECTOR	 东莞市溪榜电子有限公司 DONG GUAN XI BANG ELECTRONICS CO., LTD.
③				DRAWN BY: XiaXin	1/9-20'	TOLERANCE UNLESS OTHERWISE SPECIFIED	MATERIAL:	
②				ENGINEER: XiaXin	1/9-20'	.X ± 0.20/.008 X' ±		
①				CHECKED BY: Steve	1/9-20'	.XX ± 0.15/.006 X' ± 1'	FINISH:	
SYM	NAME	DATE	REVISIONS	APPROVED BY: Phil	1/9-20'	.XXX ± .XX ±		DRAWING NO. CF8801SA PART NO. CF88***H0R0-05-NH
								SCALE 1 / 1 SHEET 1 OF 3



Recommended P.C. Board Layout




Accommodated FFC/FPC

NO. of FFC/FPC:

$$\text{DIM A} = 0.5(.020) \times (\text{No. of Circuits} - 1)$$

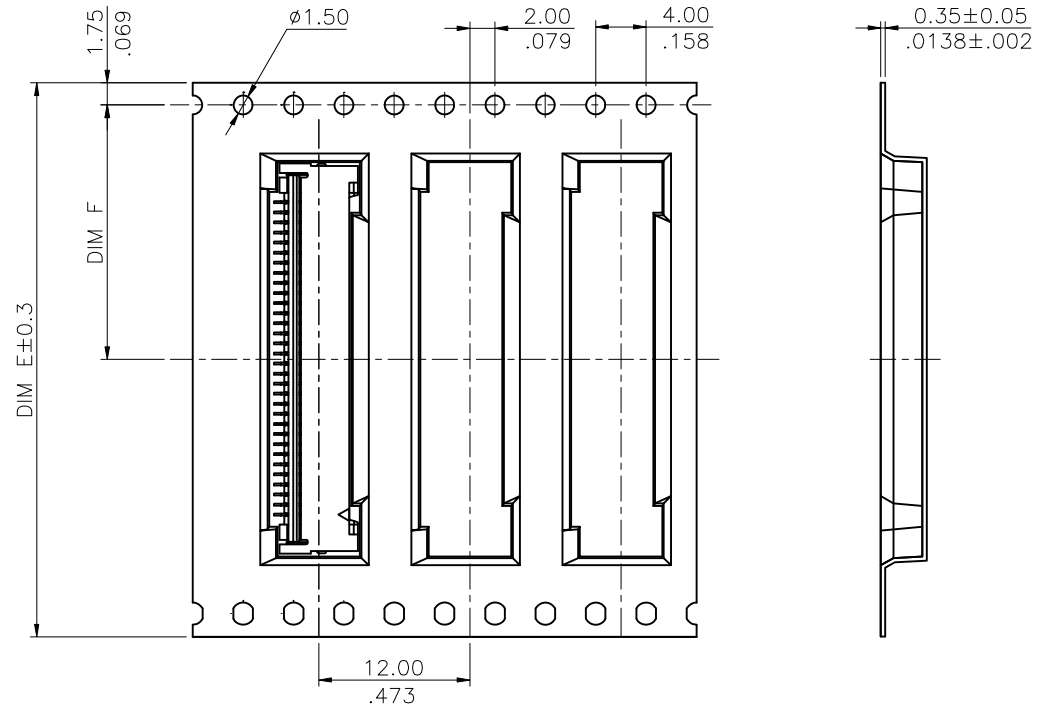
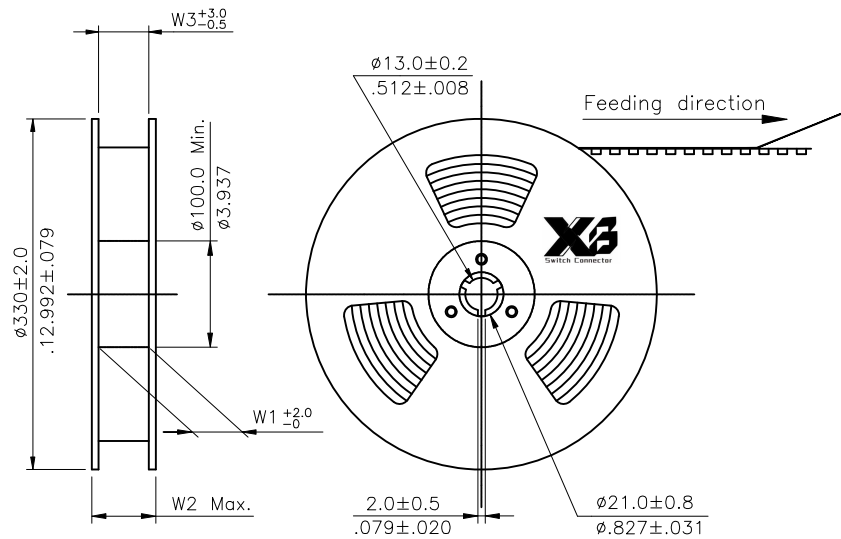
Halogen-Free
Lead Free Process
RoHS Compliant

4					DATE	UNIT: mm / inch	TITLE: 0.80mm(.032") ZIF FFC/FPC BACK FLIP CONNECTOR	 东莞市溪榜电子有限公司 DONG GUAN XI BANG ELECTRONICS CO., LTD.	
3				DRAWN BY: XiaXin	1/9-20'	TOLERANCE UNLESS OTHERWISE SPECIFIED	MATERIAL:		
2				ENGINEER: XiaXin	1/9-20'	.X ± 0.20/.008 X' ±	FINISH:	DRAWING NO. CF8801SA	PART NO. CF88***H0R0-05-NH
1				CHECKED BY: Steve	1/9-20'	.XX ± 0.15/.006 X' ± 1'		SCALE 1 / 1	SHEET 2 OF 3
SYM	NAME	DATE	REVISIONS	APPROVED BY: Phil	1/9-20'	.XXX ± .XX ±			

Notes:


1. 10 sprocket hole pitch cumulative tolerance ± 0.2
2. Camber not to exceed 1mm in 100mm.
3. Material: Polystyrene.
4. Pocket position relative to sprocket hole measured as true position of pocket, not pocked hole.
5. All dimensions meet EIA-481-B requirements.
6. Quantity: 1500 PCS/REEL

Circuits	Dimension					Packing (Reel/Caton)
	E	F	W1	W2	W3	
4~10	24.0(.945)	11.5(.453)	24.5(.965)	30.5(1.200)	24.5(.965)	9
11~25	32.0(1.260)	14.2(.559)	32.5(1.280)	38.5(1.516)	32.5(1.280)	7
26~43	44.0(1.732)	20.2(.795)	44.5(1.752)	350.5(1.988)	44.5(1.752)	5
44~50	56.0(2.205)	26.2(1.031)	56.5(2.224)	62.5(2.460)	56.5(2.224)	4



WIDTH : 32 44 56 mm Carrier
(SCALE 1:2)

RoHS Compliant

4					DATE	UNIT: mm / inch	TITLE: 0.80mm(.032") ZIF FFC/FPC BACK FLIP CONNECTOR	 东莞市溪榜电子有限公司 DONG GUAN XI BANG ELECTRONICS CO., LTD.			
3					DRAWN BY: XiaXin	TOLERANCE UNLESS OTHERWISE SPECIFIED	MATERIAL:				DRAWING NO.
2					ENGINEER: XiaXin	.X ± 0.15/.006 X' ±	FINISH:	SCALE	1 / 1	SHEET	3 OF 3
1					CHECKED BY: Steve	.XX ± 0.10/.004 .X' ± 1'					
SYM	NAME	DATE	REVISIONS	APPROVED BY: Phil	DATE	.XXX ±					