

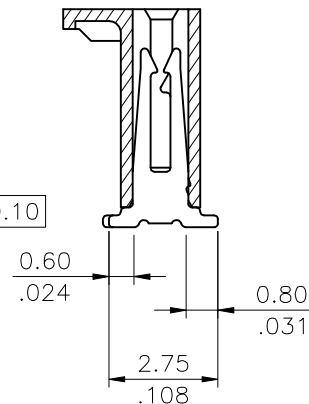
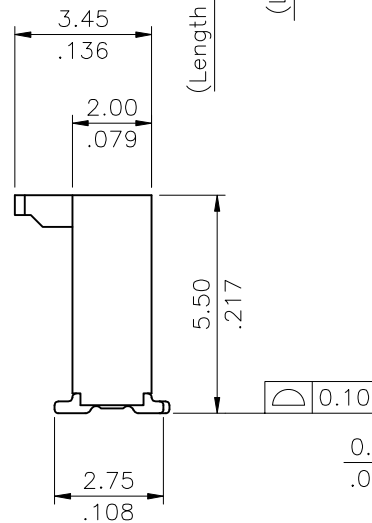
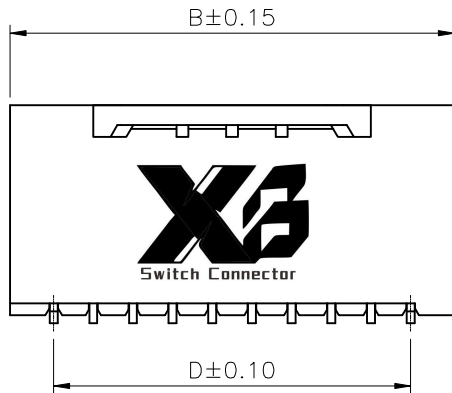
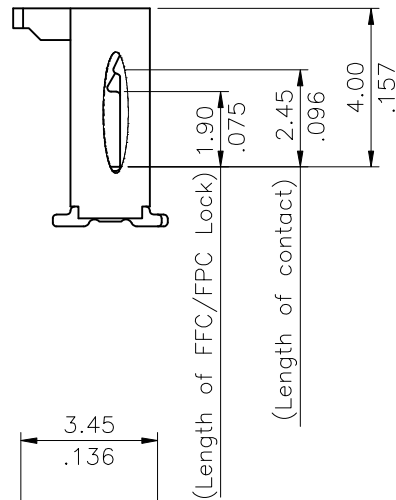
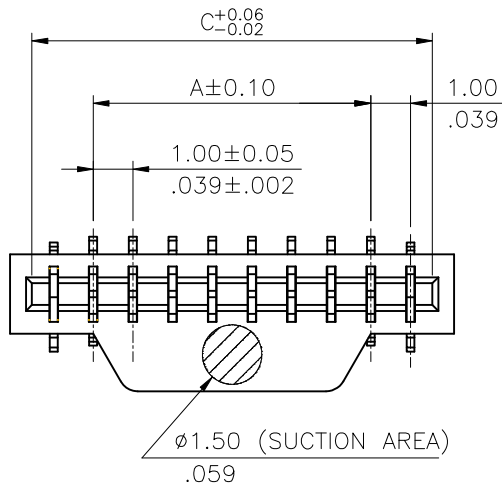
Material :

* Base:

High Temperature Plastic UL 94V-0 Color Nature (Halogen-Free)

* Contact : Phosphor Bronze

* Fixed tab : Phosphor Bronze with Matte Tin Plated over Nickel



Ordering Code:

CF65 08 1 M 0 R A -10 -NH
 ① ② ③ ④ ⑤ ⑥ ⑦ ⑧ ⑨

① Series No.

② No. of Circuits:

③ Plating:

1= 3.05 μ m(120 μ "") Min. Matte Tin
 Plating on Contact area and
 Solder tails, 1.27 μ m(50 μ "") Nickel
 Underplating over all

2= 0.03 μ m(1.2 μ "") Min. Gold Flash
 Plated over 1.27 μ m(50 μ "") Nickel

④ Contact style: M= Top entry Type(SMT)

⑤ 0= Color Nature

⑥ Packing Options: R= Tape & Reel packing and

⑦ Options: A= Short Solder tail

⑧ -10= 1.00 Pitch


⑨ Other option:

-NH= For Lead Free IR Processes
 and Halogen-Free

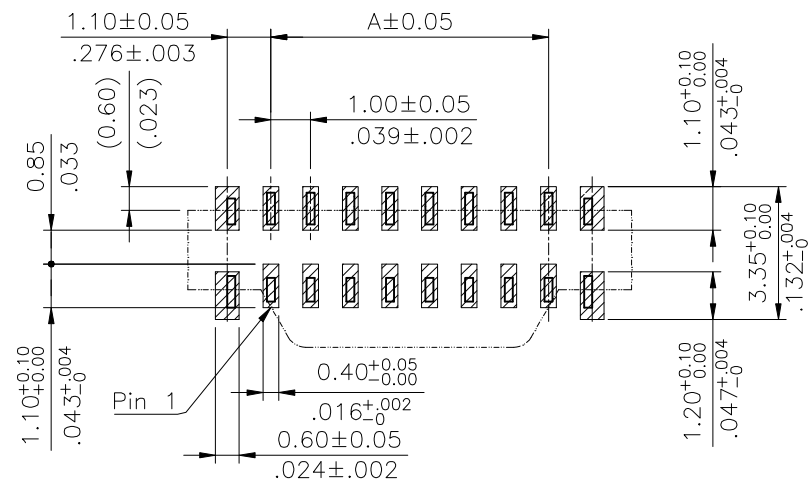
Halogen-Free

Lead Free Process

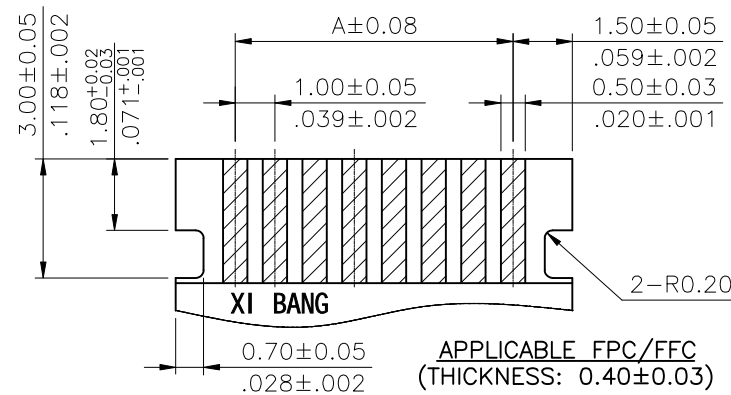
RoHS Compliant

④					DATE	UNIT: mm / inch	TITLE: 1.00mm(.039") SMT ZIF FFC/FPC CONNECTOR	 东莞市溪榜电子有限公司 DONG GUAN XI BANG ELECTRONICS CO., LTD.
③	Karen	6/18-20'	ECNT120160	DRAWN BY:	Karen	6/18-20'	MATERIAL:	
②	Ken	8/26-16'	ECNT116193/ECRH116038	ENGINEER:	Sun	6/19-20'		FINISH:
①	Clark	02/17-16'	ECNT116033	CHECKED BY:	Eisley	6/19-20'	DRAWING NO. CF6502SC	
SYM	NAME	DATE	REVISIONS	APPROVED BY:	Eisley	6/19-20'	SCALE 5 / 1	SHEET 1 OF 3

Circuits	Dimension			
	A	B	C	D
3	2.00(.079)	6.20(.244)	5.08(.200)	4.00(.157)
4	3.00(.118)	7.20(.283)	6.08(.239)	5.00(.197)
5	4.00(.157)	8.20(.323)	7.08(.279)	6.00(.236)
6	5.00(.197)	9.20(.362)	8.08(.318)	7.00(.276)
7	6.00(.236)	10.20(.402)	9.08(.357)	8.00(.315)
8	7.00(.276)	11.20(.441)	10.08(.397)	9.00(.354)
9	8.00(.315)	12.20(.480)	11.08(.436)	10.00(.394)
10	9.00(.354)	13.20(.520)	12.08(.476)	11.00(.433)
11	10.00(.394)	14.20(.559)	13.08(.515)	12.00(.472)
12	11.00(.433)	15.20(.598)	14.08(.554)	13.00(.512)
13	12.00(.472)	16.20(.638)	15.08(.594)	14.00(.551)
14	13.00(.512)	17.20(.677)	16.08(.633)	15.00(.591)
15	14.00(.551)	18.20(.717)	17.08(.672)	16.00(.630)
16	15.00(.591)	19.20(.756)	18.08(.712)	17.00(.669)
17	16.00(.630)	20.20(.795)	19.08(.751)	18.00(.709)
18	17.00(.669)	21.20(.835)	20.08(.791)	19.00(.748)

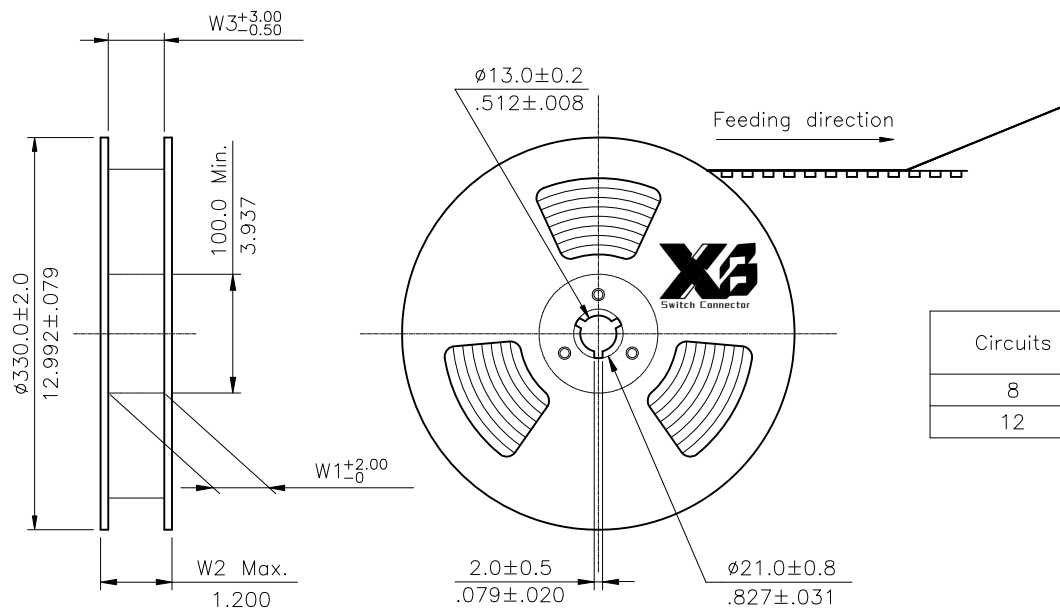


Recommended PCB Layout



Halogen-Free Lead Free Process RoHS Compliant

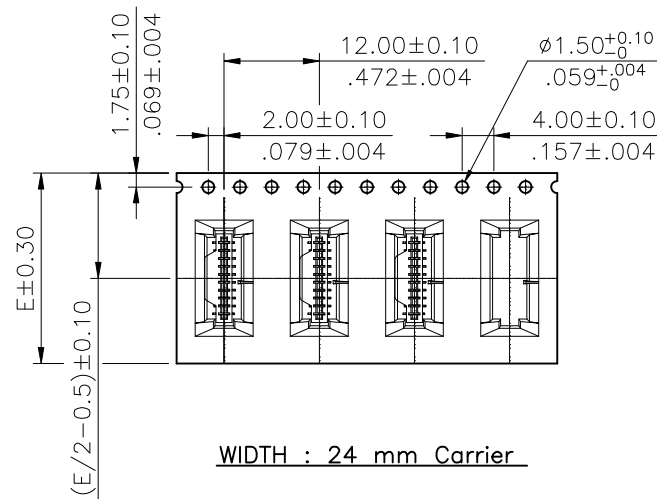
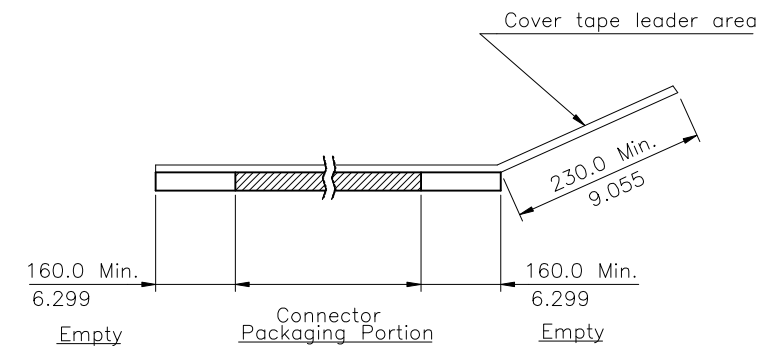
4					DATE	UNIT: mm / inch	TITLE: 1.00mm(.039") SMT ZIF FFC/FPC CONNECTOR	东莞市溪榜电子有限公司 DONG GUAN XI BANG ELECTRONI CS CO., LTD.
3	Karen	6/18-20'	ECNT120160	DRAWN BY: Karen	6/18-20'	TOLERANCE UNLESS OTHERWISE SPECIFIED	MATERIAL:	
2	Ken	8/26-16'	ECNT116193/ECRH116038	ENGINEER: Sun	6/19-20'	.X ± 0.20/.008 .X' ± r	FINISH:	DRAWING NO. CF6502SC PART NO. CF65***MORA-10-NH
1	Clark	02/17-16'	ECNT116033	CHECKED BY: Eisley	6/19-20'	.XX ± 0.15/.006 .X' ±		SCALE 5 / 1 SHEET 2 OF 3
SYM	NAME	DATE	REVISIONS	APPROVED BY: Eisley	6/19-20'	.XXX ± .XX' ±		



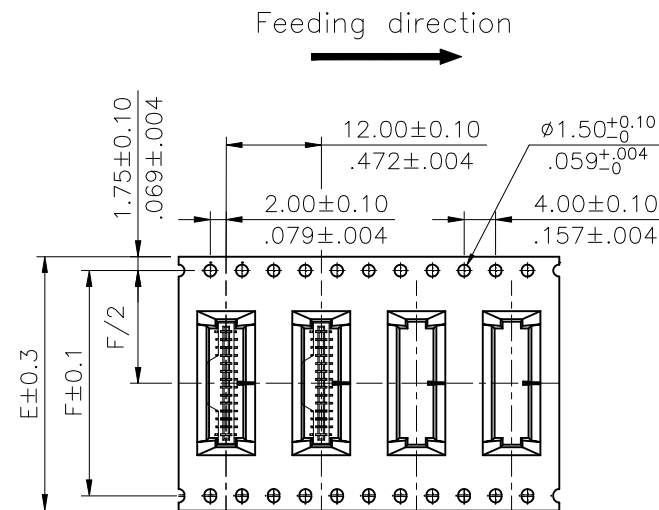
NOTE :

- * Reel Material : Corrugated Paper
- * Carrier Material : Clear, Conductive Polystyrene Alloy
- * Cover Tape Material : Polyester
- * Cover Tape Peel Strength : 0.1N – 1.3N
- * Carrier camber is within 1mm in 100mm
- * All dimensions meet EIA-481-2 & EIA-481-3 requirements.
- * Quantity : 900 PCS/Reel

Circuits	Dimension					Packing (Reel/Cation)
	E	F	W1	W2	W3	
8	24.0(.945)	---	24.5(.965)	30.5(1.200)	24.5(.965)	9
12	32.0(1.260)	28.40(1.118)	32.5(1.280)	38.5(1.516)	32.5(1.280)	7



WIDTH : 24 mm Carrier



WIDTH : 32 mm Carrier

RoHS Compliant

SYM	NAME	DATE	REVISIONS	APPROVED BY:	DATE	UNIT: mm / inch	TITLE: 1.00mm(.039") SMT ZIF FFC/FPC CONNECTOR	MATERIAL:	FINISH:	DRAWING NO.	PART NO.	SHEET	OF
4					DATE	UNIT: mm / inch	TITLE: 1.00mm(.039") SMT ZIF FFC/FPC CONNECTOR	MATERIAL:	FINISH:	DRAWING NO.	PART NO.	SHEET	OF
3	Karen	6/18-20'	ECNT120160	DRAWN BY: Karen	6/18-20'	TOLERANCE UNLESS OTHERWISE SPECIFIED .X ± 0.20/.008 .XX ± 0.15/.006 .XXX ±	MATERIAL:	FINISH:	DONG GUAN XI BANG ELECTRONICS CO., LTD.	CF6502SC	CF65***MORA-10-NH	5 / 1	3 OF 3
2	Ken	8/26-16'	ECNT116193/ECRH116038	ENGINEER: Sun	6/19-20'								
1	Clark	02/17-16'	ECNT116033	CHECKED BY: Eisley	6/19-20'								
3	Karen	6/18-20'	ECNT120160	DRAWN BY: Karen	6/18-20'								
2	Ken	8/26-16'	ECNT116193/ECRH116038	ENGINEER: Sun	6/19-20'								
1	Clark	02/17-16'	ECNT116033	CHECKED BY: Eisley	6/19-20'								
4					DATE	UNIT: mm / inch	TITLE: 1.00mm(.039") SMT ZIF FFC/FPC CONNECTOR	MATERIAL:	FINISH:	DRAWING NO.	PART NO.	SHEET	OF



东莞市溪榜电子有限公司
DONG GUAN XI BANG ELECTRONICS CO., LTD.