

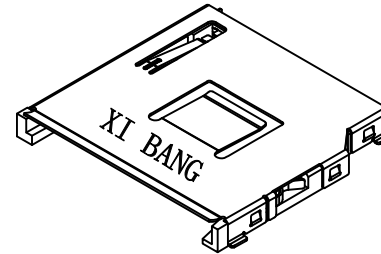
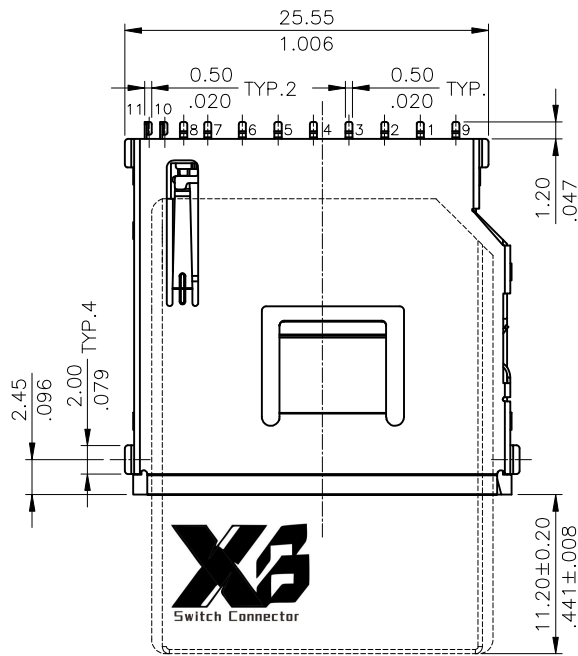
Note:

- Material:
 - * Insulation: LCP UL 94V-0
 - * Contact: Copper Alloy
 - * Shell: Copper Alloy
- For Lead Free IR Reflow Process

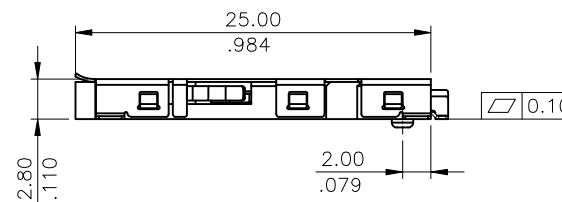
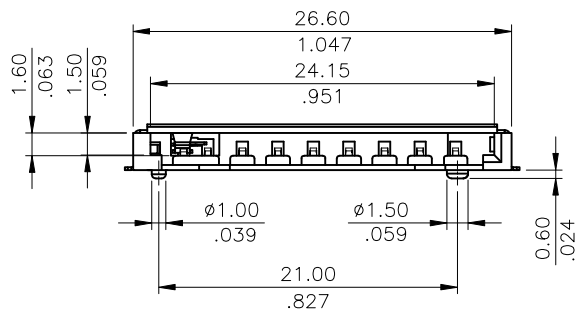
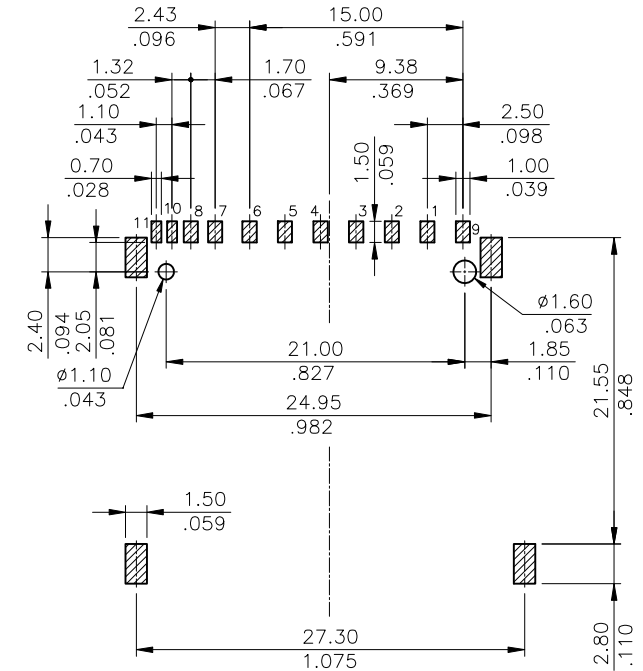
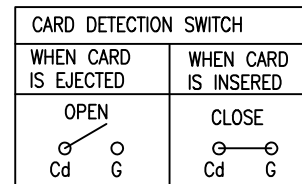
Ordering Code:

CSD1 09 A 0 B A 0 -R0
 ① ② ③ ④ ⑤ ⑥ ⑦ ⑧

- SERIES NO.
- CONTACT NUMBER: 9
- PLATING CODE: A= Selective Gold Flash
Plated over Nickel
- Insulator Color: 0= Color White
- Height: B= H:2.80mm
- Other option: A0= Standard (Tray Packing)
- Packing option: R0= Reel Packing
(Empty Code 7, if using Tray Packing)



Pin No.	NAME
1	DAT2
2	CD/DAT3
3	CMD
4	VDD
5	CLK
6	VSS
7	DAT0
8	DAT1
9	CD
10	WP
11	



RECOMMENDED P.C.B LAYOUT
 General tolerance ±0.05

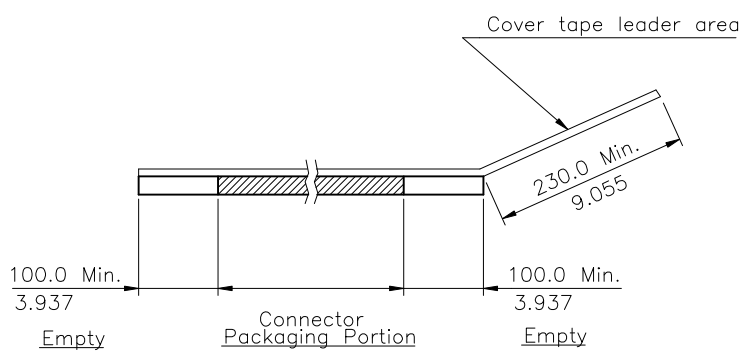
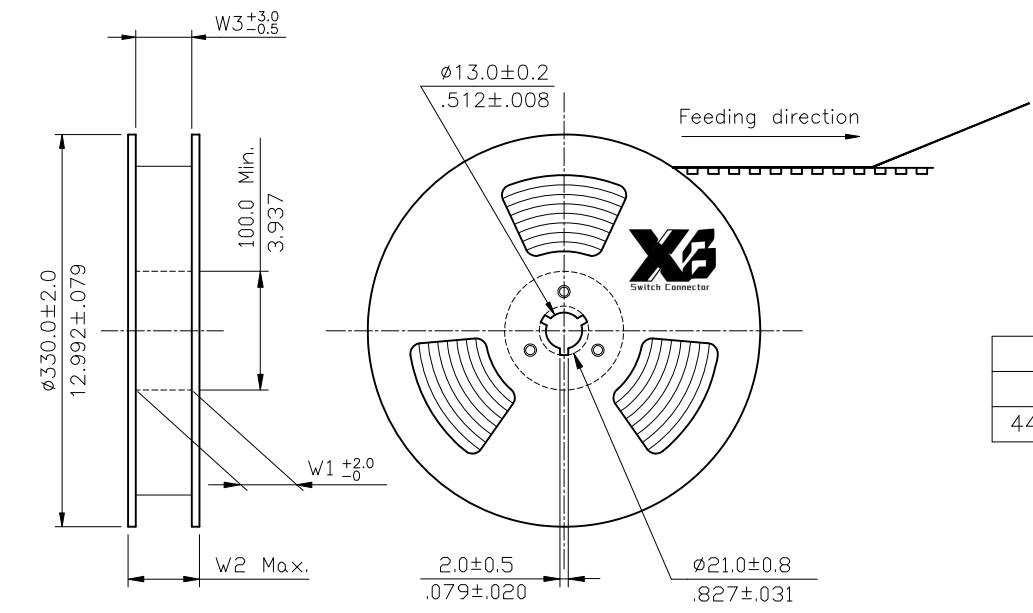
Lead Free Process

RoHS compliant

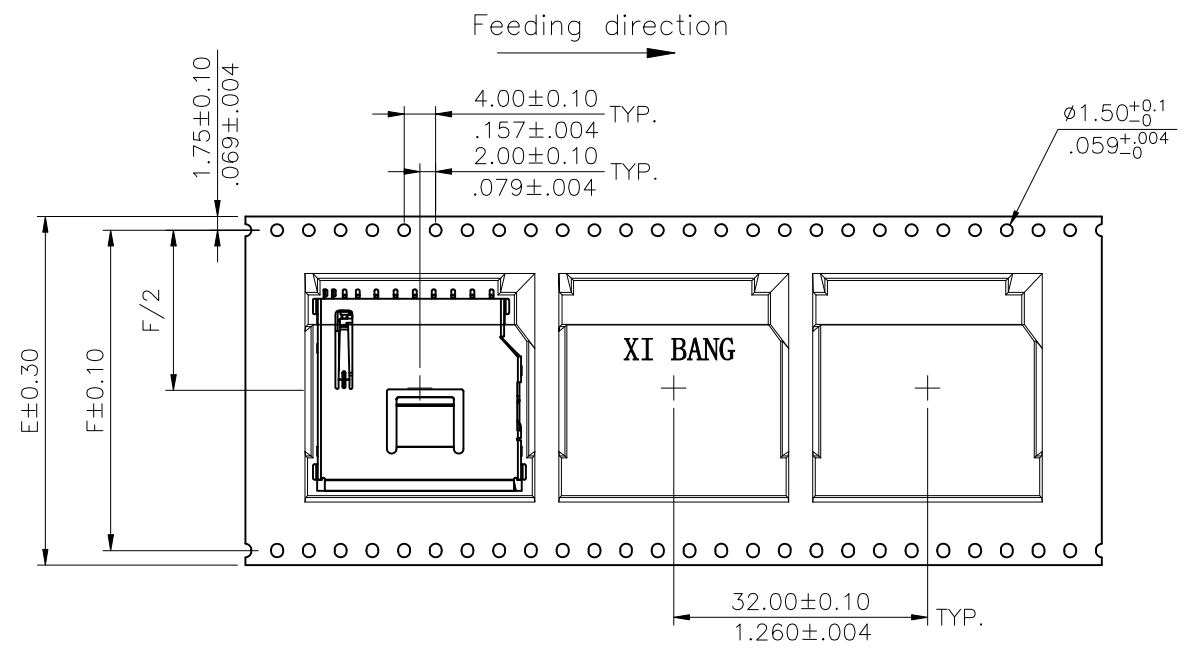
SYM	NAME	DATE	REVISIONS	APPROVED BY:	Eisley	7/23-18'	UNIT: mm / inch	TITLE:	Secure Digital Connector
4							DATE		
3				DRAWN BY:	Sun	7/20-18'	UNIT: mm / inch	TITLE:	Secure Digital Connector
2				ENGINEER:	Sun	7/20-18'	TOLERANCE	CARD KEY ORIENTATION STYLE:	Standard (TOP Mount)
1	Sun	7/05-18'	ECRT118031/ECNT118153	CHECKED BY:	Eisley	7/23-18'	.X ± 0.30/0.012	.X' ± 1'	STAND OFF HIGHNESS: 0mm
				APPROVED BY:	Eisley	7/23-18'	.XX ± 0.20/0.008	.X' ±	
							.XXX ± 0.10/0.004	.XX' ±	

XB 东莞市溪榜电子有限公司
 Switch Connector DONG GUAN XI BANG ELECTRONI CS CO., LTD.

DRAWING NO.	CSD104SA	PART NO.	CSD109A0BA0
			CSD109A0BA0-R0
SCALE	2 / 1	SHEET	1 OF 2



Dimension					Packing (Reel/Carton)
E	F	W1	W2	W3	
44.0(1.732)	40.40(1.596)	44.5(1.752)	52.0(2.047)	44.5(1.752)	7



WIDTH : 44 mm Carrier

RoHS Compliant

NOTE :

- * Reel Material : HIPS
- * Carrier Material : Polystyrene Alloy, Black
- * Cover Tape Material : Polyester
- * Cover Tape Peel Strength : 0.1N – 1.3N
- * Carrier camber is within 1mm in 100mm
- * All dimensions meet EIA-481-2 & EIA-481-3 requirements.
- * Quantity : 400 PCS/Reel

SYM	NAME	DATE	REVISIONS	APPROVED BY:	DATE	UNIT: mm / inch	TITLE:	SCALE	SHEET	OF	2
4					DATE	UNIT: mm / inch	TITLE:				
3				DRAWN BY: Sun	7/20-18'	TOLERANCE UNLESS OTHERWISE SPECIFIED	Secure Digital Connector CARD KEY ORIENTATION STYLE: Standard (TOP Mount) STAND OFF HEIGHTNESS: 0mm				
2				ENGINEER: Sun	7/20-18'			.X ±	.X' ± 1'		
1	Sun	7/05-18'	ECRT118031/ECNT118153	CHECKED BY: Eisley	7/23-18'	.XX ±	.X' ±				
				APPROVED BY: Eisley	7/23-18'	.XXX ±	.XX' ±				

XI BANG 东莞市溪榜电子有限公司
DONG GUAN XI BANG ELECTRONICS CO., LTD.

DRAWING NO.	CSD104SA	PART NO.	CSD109A0BA0 CSD109A0BA0-RO
SCALE		SHEET	2 OF 2