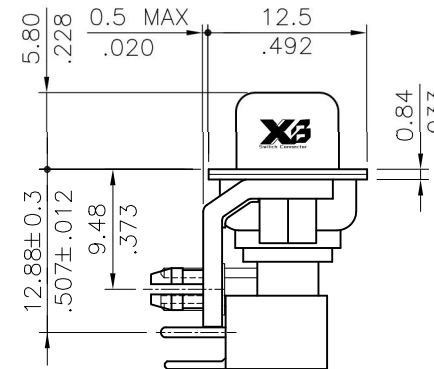
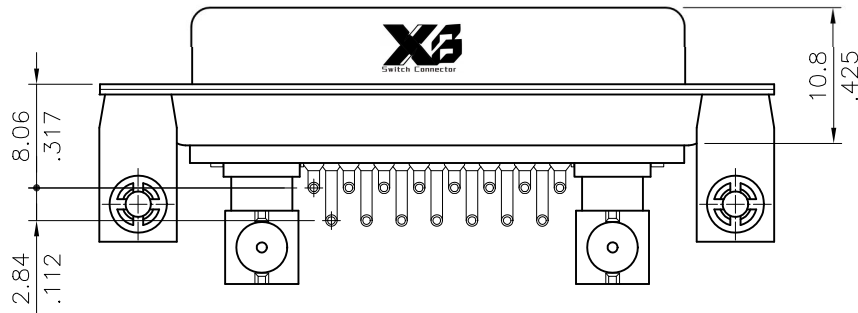
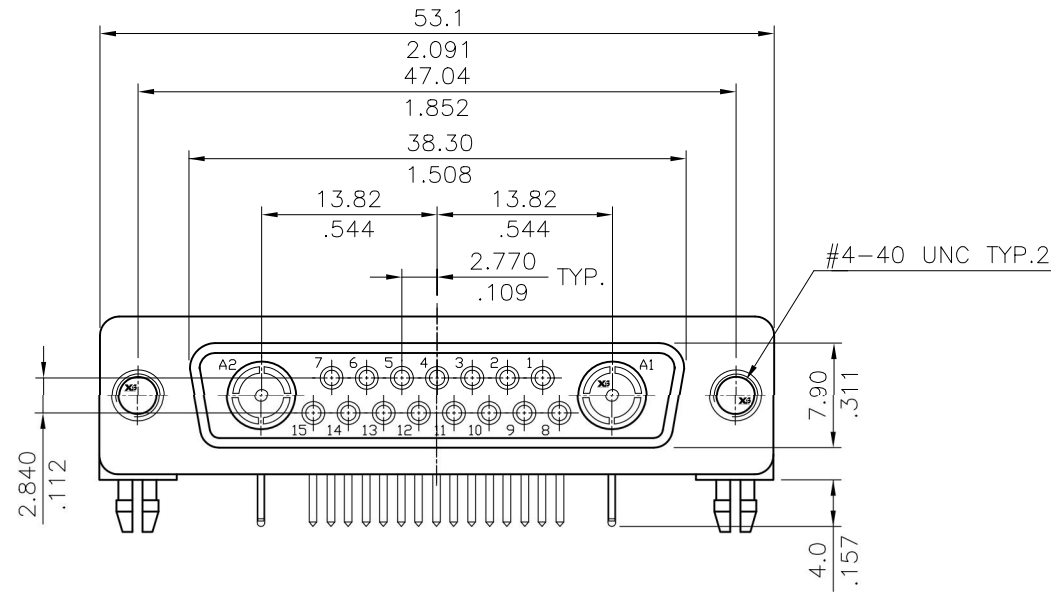


Notes:


Insulator: Glass filled Polyester UL 94V-0
 Contact: Copper alloy
 Shell: Steel, Tin plated as standard

Coaxial terminal
 Insulator: Teflon UL 94V-0
 Color white
 Contact: Brass

* For Lead Free Wave Flow Process



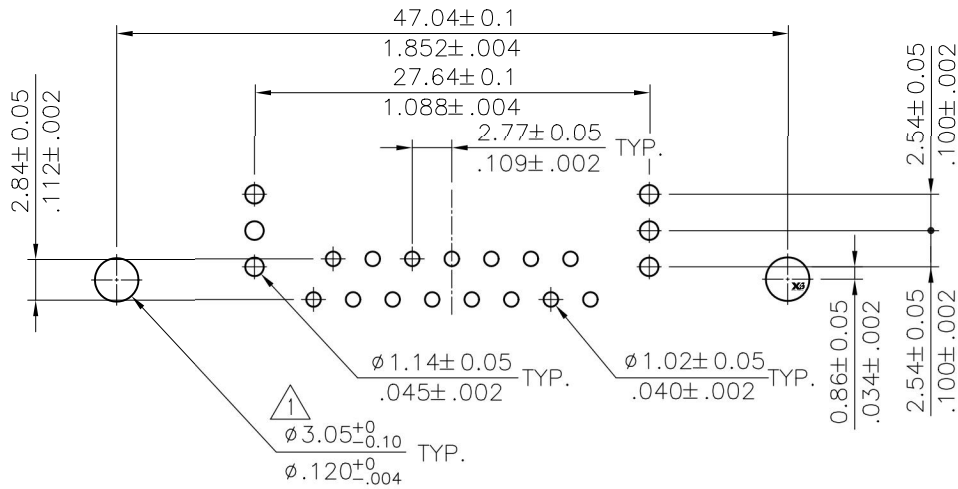
Lead Free Process
 RoHS Compliant

4					DATE	UNIT: mm / inch	TITLE: 17W2 COAXIAL FEMALE D-SUB CONNECTOR (RIGHT ANGLE PCB MOUNT TYPE)	
3				DRAWN BY: Karen	4/20-17'	TOLERANCE UNLESS OTHERWISE SPECIFIED	MATERIAL:	
2				ENGINEER: Sun	4/21-17'	.X ± 0.30/012	.X' ± 1'	DRAWING NO. 17W206SC PART NO. 17W2SCH*****
1	Karen	4/18-17'	ECNT117049/ECRT117003	CHECKED BY: Easley	4/21-17'	.XX ± 0.20/008	.X' ±	
SYM	NAME	DATE	REVISIONS	APPROVED BY: Easley	4/21-17'	.XXX ± 0.10/004	.XX' ±	SCALE 2 / 1 SHEET 1 OF 2

Ordering Code

$\frac{17W2}{①}$ $\frac{S}{②}$ $\frac{C}{③}$ $\frac{H}{④}$ $\frac{3}{⑤}$ $\frac{2}{⑥}$ $\frac{1}{⑦}$ $\frac{75}{⑧}$ $\frac{110}{⑨}$

- ① Series No.
- ② Connector Type: S= Receptacle
- ③ Contact type: C= Coaxial Contact
- ④ Contact tail style: H= Right Angle Dip type
- ⑤ Coaxial contact plating:
 - 2= Gold flash plated over Nickel
 - 3= 15 μ " Gold plated over Nickel
 - 4= 30 μ " Gold plated over Nickel
 - 5= 50 μ " Gold plated over Nickel
- ⑥ Signal contact plating:
 - 2= Gold flash plated over Nickel
 - 3= 15 μ " Gold plated over Nickel
 - 4= 30 μ " Gold plated over Nickel
- ⑦ Insulator color: 1= Black, 6= Green
- ⑧ Performance: 50= 50 Ω , 75= 75 Ω
- ⑨ Mounting Style:
 - 000= With $\phi 3.05$ mm holes on shell
 - B00= Riveted #4-40 UNC open nuts on front shell
 - C00= Riveted #4-40 UNC open nuts on rear shell
 - I00= Riveted #4-40 UNC ground tabs with $\phi 3.2$ mm holes
 - I10= Riveted #4-40 UNC ground tabs with board locks(standard)



Recommended P.C Board Layout

Mounting Style									
Code	000	Code	B00	Code	C00	Code	I00	Code	I10
			DIM. L= 4.0mm				$\phi A=3.2$ mm		

Lead Free Process

RoHS Compliant

④					DATE	UNIT: mm / inch	TITLE: 17W2 COAXIAL FEMALE D-SUB CONNECTOR (RIGHT ANGLE PCB MOUNT TYPE)	东莞市溪榜电子有限公司 DONG GUAN XI BANG ELECTRONICS CO., LTD
③				DRAWN BY: Karen	4/20-17'	TOLERANCE UNLESS OTHERWISE SPECIFIED	MATERIAL:	
②				ENGINEER: Sun	4/21-17'	.X ± 0.30/.012 X: ± 1'	FINISH:	
①	Karen	4/18-17'	ECNT117049/ECRT117003	CHECKED BY: Eisley	4/21-17'	.XX ± 0.20/.008 X: ±		
SYM	NAME	DATE	REVISIONS	APPROVED BY: Eisley	4/21-17'	.XXX ± 0.10/.004 XX: ±		DRAWING NO. 17W206SC PART NO. 17W2SCH***** SCALE 2 / 1 SHEET 2 OF 2