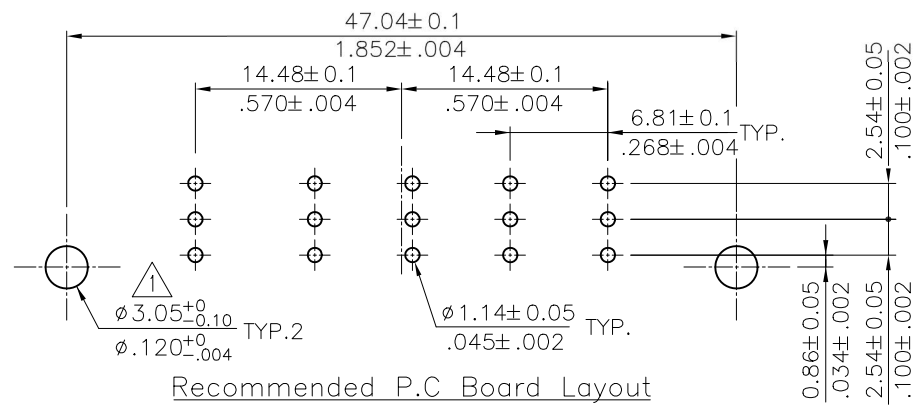
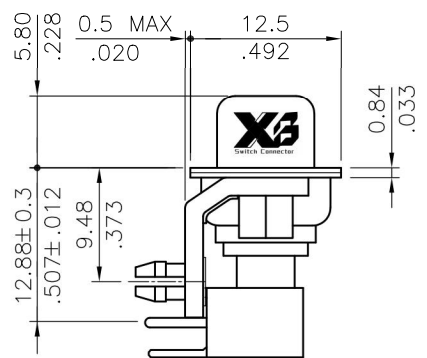


Material:  
 Insulator: Glass filled Polyester UL 94V-0  
 Shell: Steel, Tin plated as standard  
 Coaxial terminal  
 Insulator: Teflon UL 94V-0  
 Color white  
 Contact: Brass with Gold plated

Ordering Code  
 C5W5 S C H 3 0 1 75 I10  
 ① ② ③ ④ ⑤ ⑥ ⑦ ⑧ ⑨

- ① Series No.
- ② Connector Type: S= Receptacle
- ③ Contact type: C= Coaxial Contact
- ④ Contact tail style: H= Right Angle Dip type
- ⑤ Coaxial contact plating:  
 2= Gold flash plated over Nickel  
 3= 15μ" Gold plated over Nickel  
 4= 30μ" Gold plated over Nickel  
 5= 50μ" Gold plated over Nickel
- ⑥ Singal contact plating:  
 0= Without singal contact
- ⑦ Insulator color: 1= Black, 6= Green
- ⑧ Performance: 50= 50Ω, 75= 75Ω
- ⑨ Mounting Style:  
 000= With ø3.05mm holes on shell  
 B00= Riveted #4-40 UNC open nuts on front shell  
 C00= Riveted #4-40 UNC open nuts on rear shell  
 I00= Riveted #4-40 UNC ground tabs with ø3.2mm holes  
 I10= Riveted #4-40 UNC ground tabs with board locks(standard)



Mounting Style

Code	000	Code	B00	Code	C00	Code	I00	Code	I10
			DIM. L= 4.0mm		DIM. L= 4.0mm		øA=3.2mm		

4					DATE	UNIT: mm / inch	TITLE: C5W5 COAXIAL FEMALE D-SUB CONNECTOR (RIGHT ANGLE BOARD MOUNT TYPE)
3				DRAWN BY: Karen	3/20-17'	TOLERANCE UNLESS OTHERWISE SPECIFIED	MATERIAL: FINISH:
2				ENGINEER: Sun	3/20-17'	.X ± 0.30/.012 X: ± 1'	
1	Karen	3/20-17'	ECNT117049/ECRT117003	CHECKED BY: Eisley	3/22-17'	.XX ± 0.20/.008 X: ±	
SYM	NAME	DATE	REVISIONS	APPROVED BY: Eisley	3/22-17'	.XXX ± 0.10/.004 XX ±	

**X3** 东莞市溪榜电子有限公司  
 DONG GUAN XI BANG ELECTRONI CS CO., LTD.

DRAWING NO. C5W506SC PART NO. C5W5SCH\*0\*\*\*\*\*

SCALE 2 / 1 SHEET 1 OF 1