

SPECIFICATIONS:

1.ELECTRICAL CHARACTERISTICS:

- 1-1.RATING:DC 24V 8A
- 1-2 CONTACT RESISTANCE:30mΩ MAX(INMAL)
- 1-3DIELECTRIC WITHSTANDING VOLTAGE:500V AC FOR ONE MINUTE
- 1-4.INSULATION RESISTANCE:100MΩ MIN. MEASURED BY 500V DC

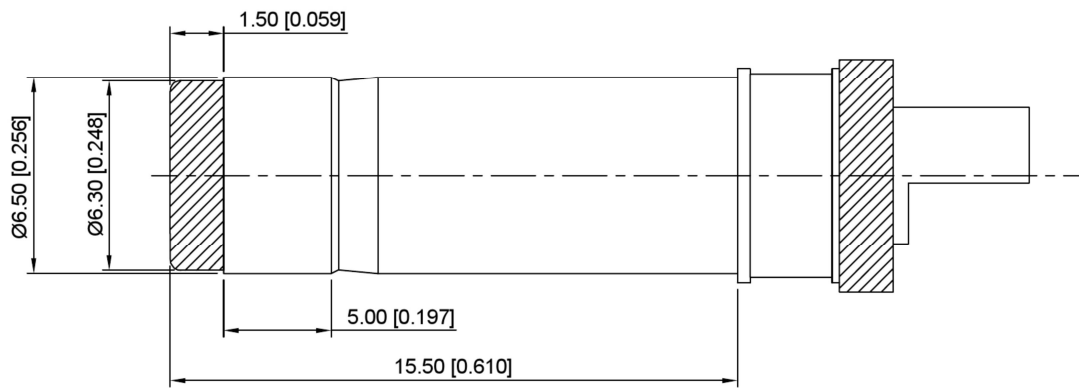
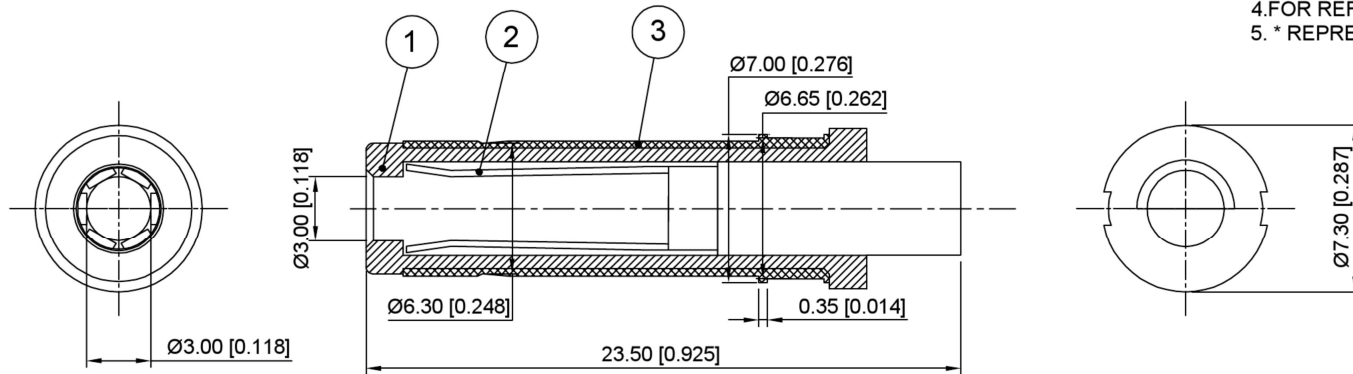
2.MECHANICAL CHARACTERISTICS:

- 2-1.Plugit into the mother socket 3 times INSERTION FORCE:0.3~3.0 KGF
- 2-2.Plug it into the mother socket 5000 times INSERTION FORCE:0.3~3.0 KGF

3.SALTFOG:24 Hours

4.FOR REFLOW SOLDERING LEAD-FREE PROCESS

5. * REPRESENT CRITICAL DIMENSIONS.



	MATERIAL	PLATING
TERMINAL 1	Phosphor bronze	NI
Fork hook tube	C3604	NI
plastic	PBT	Black

REVISIONS	DATE	REVISED	APPROVED	UNSPECIFIED TOLERANCES
				ANGLAR ±5°
				L ≤ 4 ±0.2
				4 < L ≤ 16 ±0.3
				16 < L ≤ 63 ±0.4
				L > 63 ±0.5

www.alpsr.com www.gdxjdz.com www.xbswitch.com



DSND	SCALE: N/A	MODEL TYPE: DC POWER JACK
DWN	VIEW:	PART NO.: DT-2356530
CHKD	UNIT: mm/in	DWG NO.:
APPD	SIZE: A4	
	WEIGHT	SHEET
		1/1
	REVISION	A0

DONG GUAN XI BANG ELECTRONIC CO., LTD