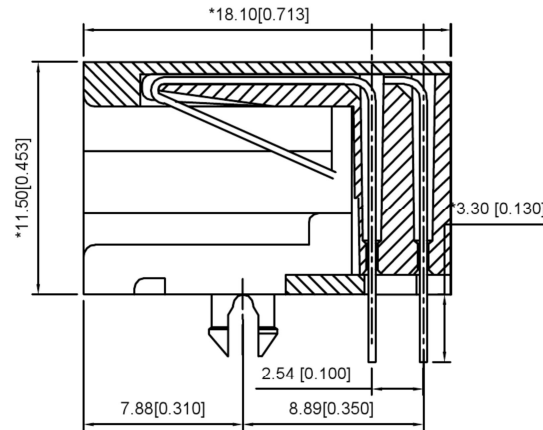


FRONT VIEW



SECTIONAL VIEW

MATERIAL 材料:

HOUSING 外壳: PBT,UL94V-0,BLACK.

TERMINAL 端子: PHOSPHOR BRONZE $\varnothing=0.46\text{MM}$,GOLD PLATING

MECHANICAL 机械:

DURABILITY 耐用性: 750 CYCLES MIN,12.5MM/MINUTE.

INSERTION FORCE 插入力:2.2KG.F MAX

RETENTION STRENGTH 保持力:7.7KG.F BETWEEN JACK AND PLUG.

OPERATING TEMPERATURE 工作温度: $-40^{\circ}\text{C}\sim+85^{\circ}\text{C}$.

STORAGE TEMPERATURE 储存温度: $-40^{\circ}\text{C}\sim+85^{\circ}\text{C}$.

ALL CRITICAL DIMENSIONS WITH ""

ELECTRICAL 电气:

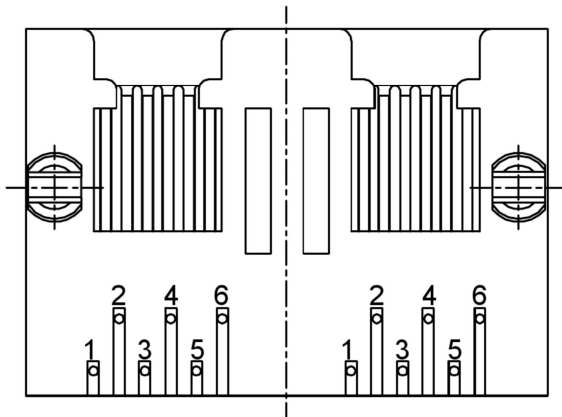
VOLTAGE 电压: 125 VOLTS AC.

CURRENT RATING 电流额定值: 1.5AMP.

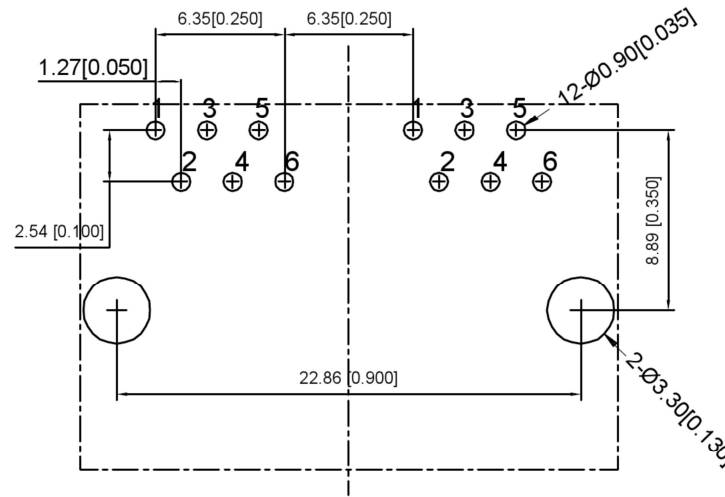
DIELECTRIC STRENGTH 介电强度: 1000 VAC RMS 50HZ OR 60HZ,1 MIN

INSULATION RESISTANCE 绝缘电阻: 500 MEGA OHMS MIN.INITIAL
AFTER 500V DC FOR 1 MINUTE.

CONTACT RESISTANCE 接触电阻: SINGLE TERMINAL 30 MILLIOHMS MAX.
INITIAL 50 MILLIOHMS MAX. AFTER
DURABILITY TEST.



BOTTOM VIEW



RECOMMENDED PCB LAYOUT
VIEWED FROM COMPONENT SIDE



				ANGULAR	$\pm 5^{\circ}$
				$L \leq 4$	± 0.2
				$4 < L \leq 16$	± 0.3
				$16 < L \leq 63$	± 0.4
				$L > 63$	± 0.5
				UNSPECIFIED TOLERANCES	
REVISIONS					
	DATE	REVISED	APPROVED		
www.alpsr.com www.gdxjdz.com www.xbswitch.com					



DONG GUAN XI BANG ELECTRONIC CO., LTD

DSND	SCALE: N/A	MODEL TYPE:	RJ JACK		
DWN	VIEW:	PART NO.:			
CHKD	UNIT: mm/in	DWG NO.:	X08BHIWA1DY4112		
APPD	SIZE: A4	WEIGHT	SHEET	REVISION	
			1/1	A0	